



METACO 8

INTERNAL MANUAL ROLLER BLINDS



The Japanese engineered **METACO 8** chain operated system is ideal for large and oversized windows in both commercial and domestic applications.

This premium system features decelerated clutch, coupled with a stainless steel gear mechanism which allows the blind to move with greater ease.

The spring assisted Metaco is capable of linking up to four blinds off one chain, allowing large glazed areas to be shaded with supreme convenience.

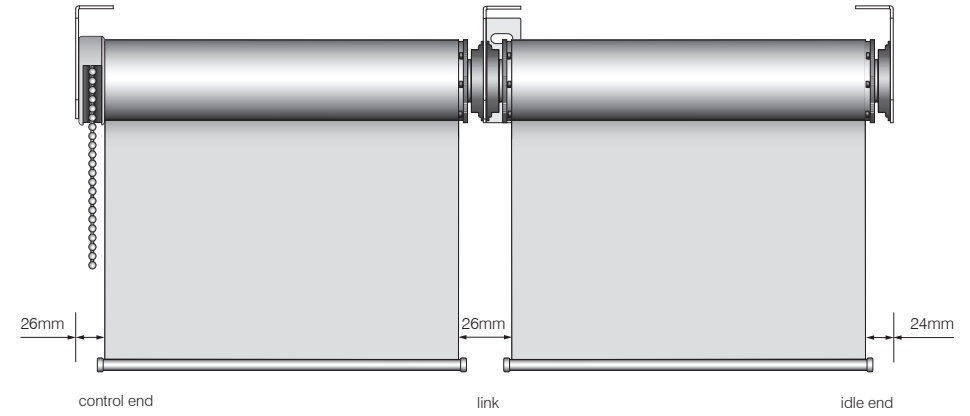
As with all Helioscreen roller blinds, stainless steel chains come standard.



SYSTEM SPECIFICATIONS

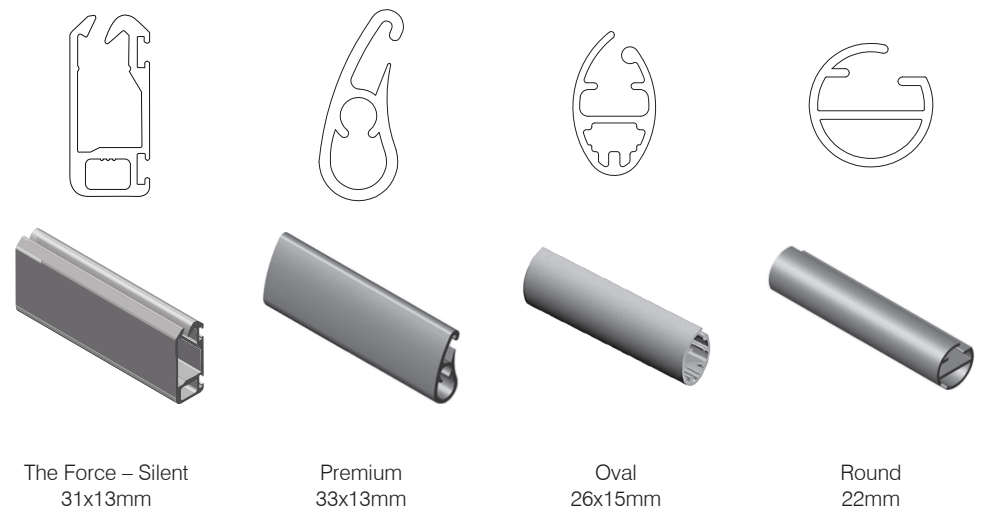
Minimum width	800mm
Maximum width	4400mm
Maximum drop	6000mm
Linkable	Yes, up to 4 blinds
Gear ratio	1 : 3
Minimum recess dimensions: (for single blinds)	Width 150mm / Height 140mm
Light gaps: (see diagram)	Control side 26mm Idle end side 24mm Between linked blinds 26mm

Light gaps



TECHNICAL INFORMATION: BASEBARS

Size	The Force – Silent 31x13mm, Premium 33x13mm Oval 26x15mm, Round 22mm
Standard colours	Anodised, White, Shoji White, Barrister White, Barley, Dune, Black
Options	Custom powder coating available



The Force – Silent
31x13mm

Premium
33x13mm

Oval
26x15mm

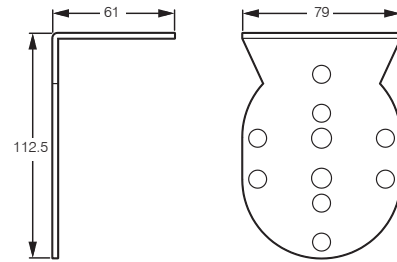
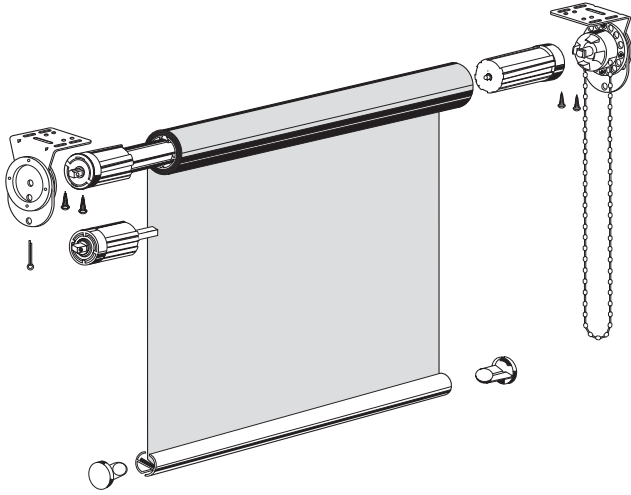
Round
22mm

TECHNICAL INFORMATION: BRACKETS

Size	79 x 61mm fixing plate 112.5mm projection
Standard colours	White, Black Custom powder coating available
Details	Zinc with a chrome ring Universal fixing points

TECHNICAL INFORMATION: ROLLER TUBE

Roller tube	80mm extruded aluminium 2mm wall thickness 8mm fabric slot with 7 strengthening fins
Control	Sprocket guard acetal Other parts mineral filled nylon or nylon 6 Stainless steel chain
Idler	Nylon 6 construction



Mounting bracket