



# HELIOSHADE® CLASSIC

## FOLDING ARM AWNING



An elegant and compact range of awnings, the **Helioshade® Classic** offer a stylish awning design with full protection from the elements.

The **Classic** range is mounted via a integrated torque bar with numerous attachment options making the **Classic** range a universal awning option for a large range of applications.

Thanks to the chromatising of all aluminium parts as well as screws and nuts made of marine-grade stainless steel, the **Classic** range is extremely resistant to corrosion.

Extension of the awning is by means of a SOMFY motor which is backed by a 5 year warranty and also offers the option of automated sun, wind or rain sensors.



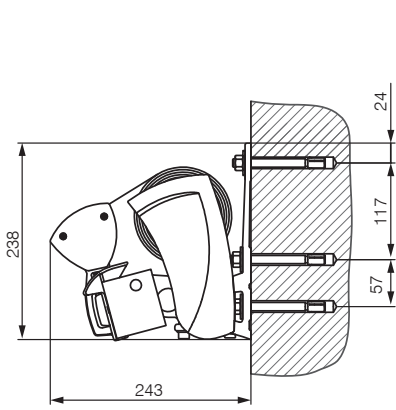
### SYSTEM SPECIFICATIONS

System	Helioshade Classic retractable awning
Minimum width	1980mm
Maximum width	8000mm
Maximum projection	4000mm (4500mm *only possible from 5 – 6.5m wide)
Installation angle	5-45°
Standard operation	Motor (gear unit and hand crank possible)
Fabric colours	Over 150 fabric colours
Standard frame colours	Over 120 Dulux and custom powdercoat colours
Premium frame colours	Over 50 Dulux Duratec and Electro commercial colours
Valance option	Fabric valance and Vario-valance

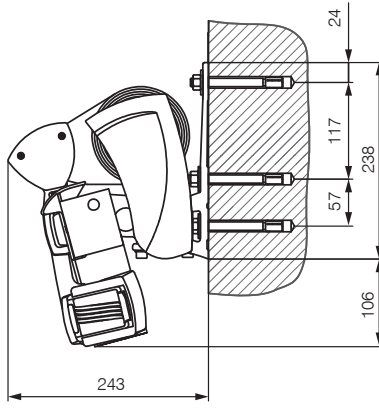
### TECHNICAL INFORMATION

Brackets	Face, top, rafter/soffit fix and fascia brackets
	Face/wall mount brackets: 60 x 238mm
	Top fix brackets: 195 x 238mm
	Fascia brackets: 0°, 10°, 20° and 30° (for up to 3000mm projection)
Mechanism	Architectural grade extruded aluminium
	Articulated folding arms
	High quality extruded and drop-forged arms offer safety and reliability even under extreme loads
Vario-valance (max 3500mm projection)	Unique "Multiflex" power band system ensures proper tensioning of the fabric and consists of four tear-resistant steel cables
	Extendable valance to a maximum of 1600mm drop
	Discreet design harmonises with awning appearance
	Offers additional privacy and sun protection
Testing	Crank operated
	Tested for 70,000 arm operations
Sun and wind control systems	Tested in winds equivalent to 40-50km/hr
	Optional automation via wind control sensor
	Optional automation via Soliris sun and wind sensor
	Automated reaction in high winds
	Adjustable wind sensitivity levels

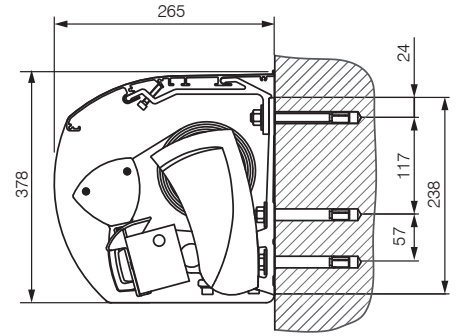
# Mounting situations



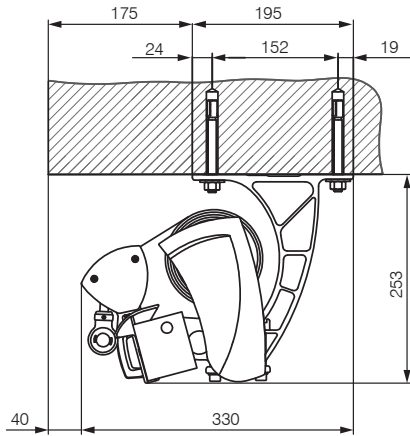
Face mount  
5°-45°



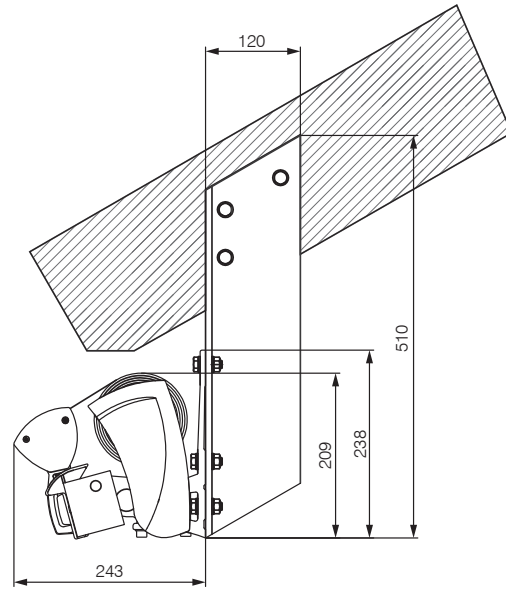
Face mount (with crossed arms)  
5°-30°



Face mount with hood  
5°-45°

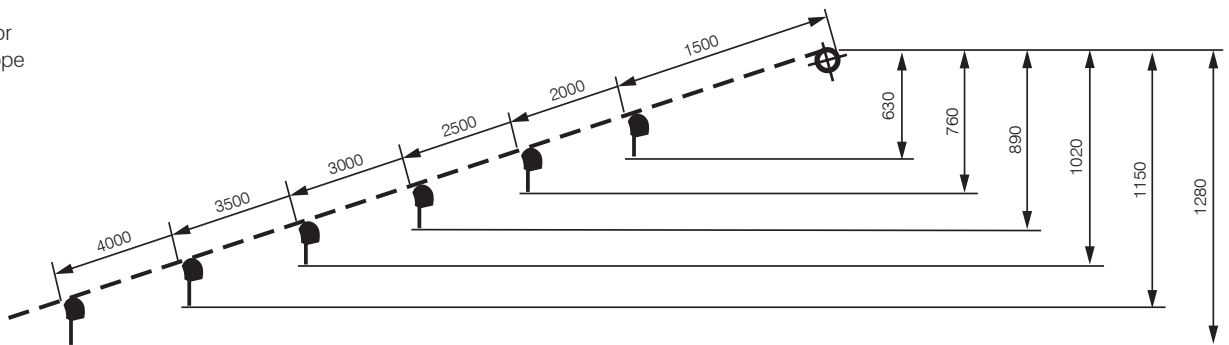


Top mount  
5°-45°

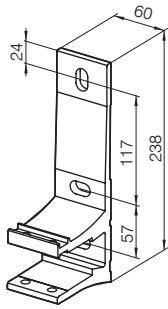


Rafter mount

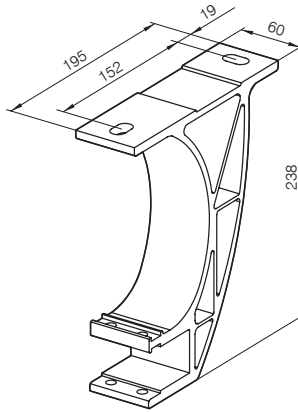
System height for  
standard 15° slope



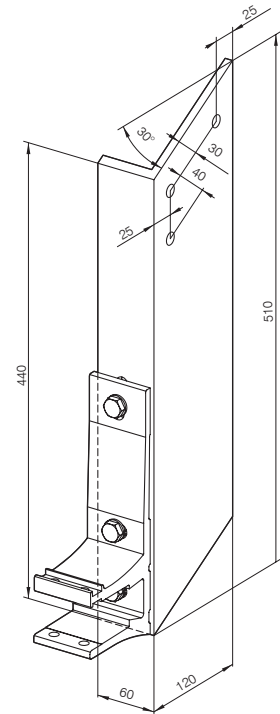
## Bracket details



Wall mount  
3 Holes: 14 x 24mm

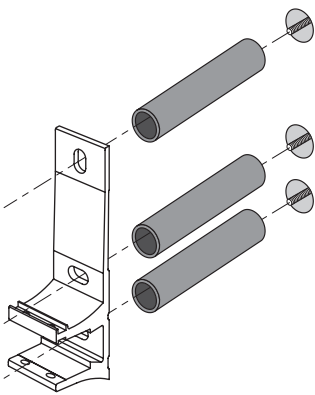


Top mount  
2 Holes: 14 x 24mm

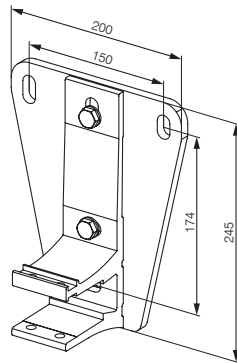


Rafter mount  
3 Holes: 12mm

## Installation options

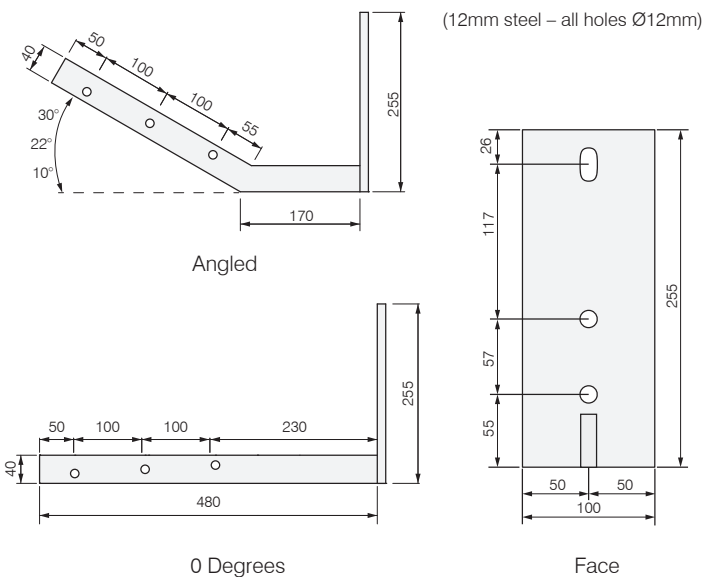


Distance tube



Bracket spreader plate

## Fascia brackets



## Approximate weights in kg

Proj	1500	2000	2500	3000	3500	4000	4500	Vario-Valance
1250	25							2
1500	26	28						3
1750	28	29	32					3
2000	30	31	33	35				3
2250	31	33	35	37	40			4
2500	33	34	37	38	42	44		4
2750	34	36	38	40	44	46		4
3000	36	38	40	42	46	47		5
3250	38	39	42	44	48	49		5
3500	39	41	44	45	49	51		6
3750	41	43	45	47	51	53		6
4000	43	44	47	49	53	55		6
4250	44	46	49	50	55	56		7
4500	46	48	50	52	56	58		7
4750	48	49	52	54	58	60		7
5000	49	51	54	56	60	62	66	8
5250	51	53	56	57	62	64	68	8
5500	52	54	57	59	64	66	70	8
5750	54	56	59	61	65	67	72	9
6000	56	58	61	63	67	69	73	9
6250	57	59	62	64	69	71	75	9
6500	59	61	64	66	71	73	77	10
6750	64	66	70	73	79	82		10
7000	65	68	72	75	81	84		11
7250	67	70	74	77	83	86		
7500	69	71	75	78	85	88		
7750	70	73	77	80	87	89		
8000	72	75	79	82	88	91		