

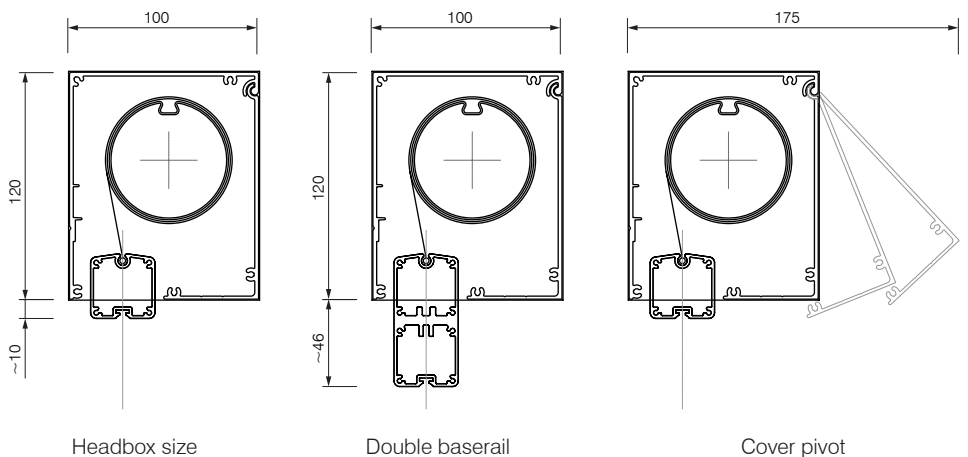
## SYSTEM SPECIFICATIONS

Minimum width	770mm
Maximum width	3200mm
Maximum drop	3000mm
Maximum area	9sqm
Linkable	Yes ( <b>Note:</b> If linking blinds inside a reveal, the reveal must be 55mm wider than the combined blind width   Tight reveal fitting of linked blinds is not possible.)
Headbox	Yes
Fabric deductions	40mm per side

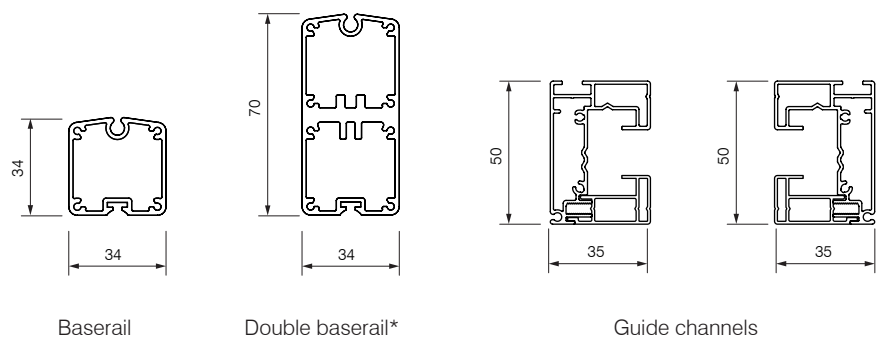
## TECHNICAL INFORMATION

Headbox	Two part extruded aluminium headbox 100x120mm
End plates	Cast aluminium with guide cable connection lug
Roller tube	65mm roller tube
Guide cables	316 grade stainless steel guide cables and fittings
Guide channels	Two part extruded guide channels 35x50mm
Installation options	Reveal or face fix installation variations

## System details



## Channel & baserail sizes



\* Double baserail used for narrow widths over 1:2.5 height

## HMX 100

## EXTERNAL BLIND 100x120mm HEADBOX

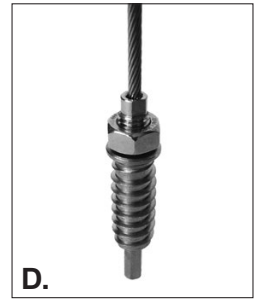


The Helioscreen **HMX 100** is an external blind system built for durability and performance in the uniquely harsh Australian climate.

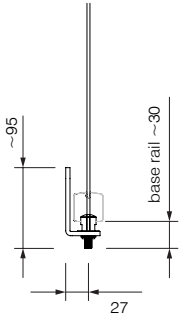
Designed and engineered in Europe, this is an uncompromising product of the highest quality, featuring a compact 100x120mm headbox, with either marine grade stainless steel cable guides, or sleek two-piece aluminium guide channels.

## Cable guide fixings

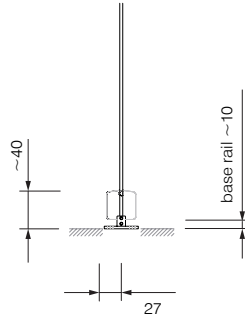
- A. S/steel bush  
S/steel wall bracket
- B. S/steel bush  
S/steel bottom fix plate
- C. S/steel bush  
S/steel universal bracket
- D. S/steel timber deck mount



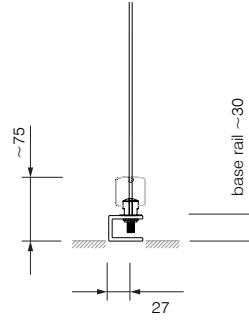
## Cable side details



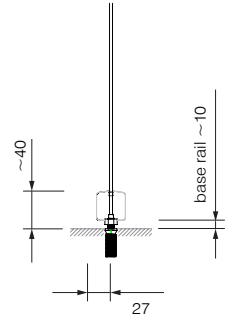
A



B

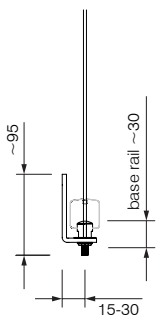


C

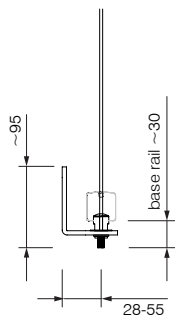


D

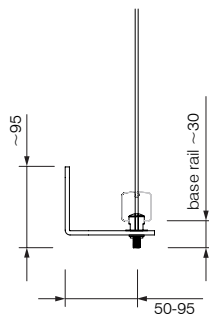
### Face fix "L" bracket adjustment sizes



Standard size A

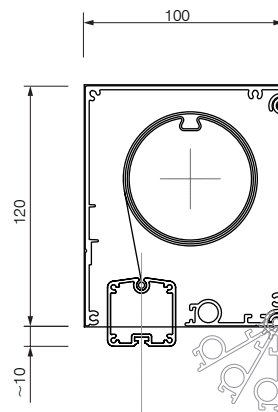


Optional size A2

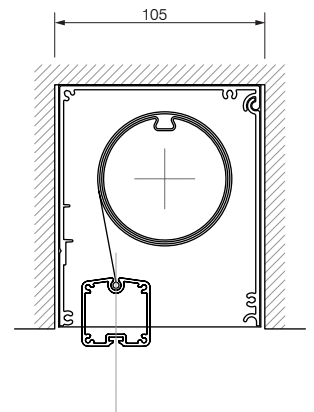


Optional size A3

### HMX 100/R (Recess detail) \*Size limitations apply for this model

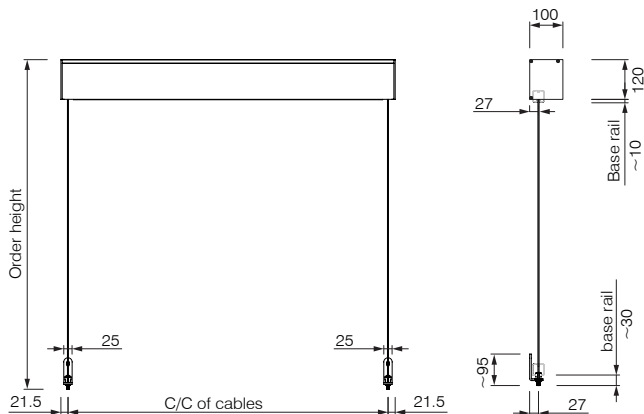


Headbox size



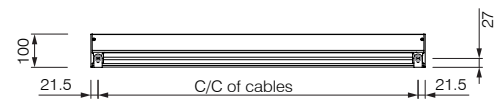
Shown with no bottom cover

## Cable fixing details

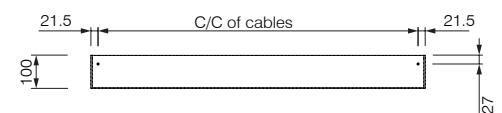


Front view

Side view



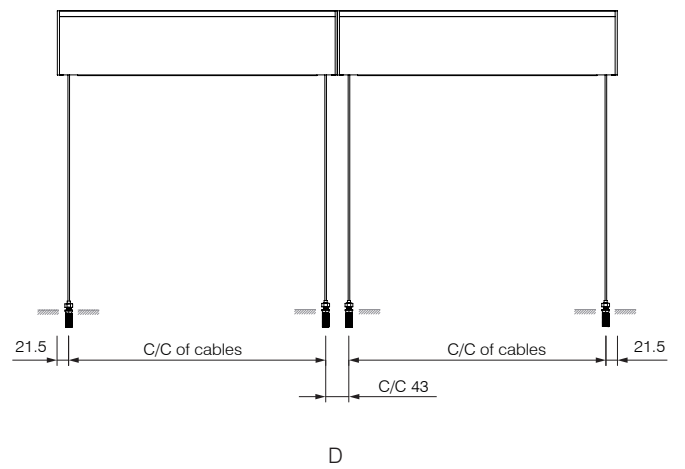
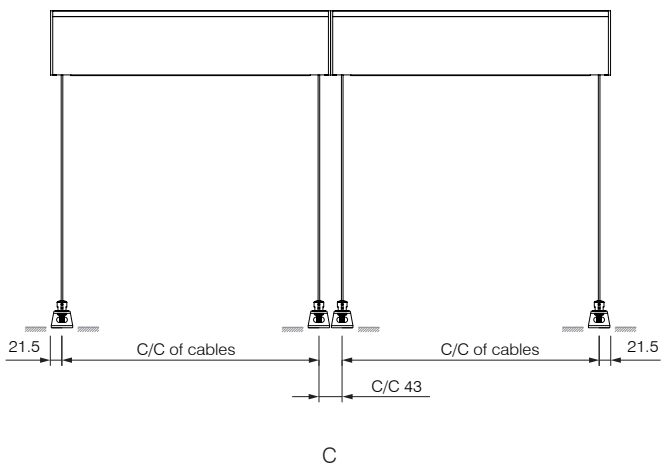
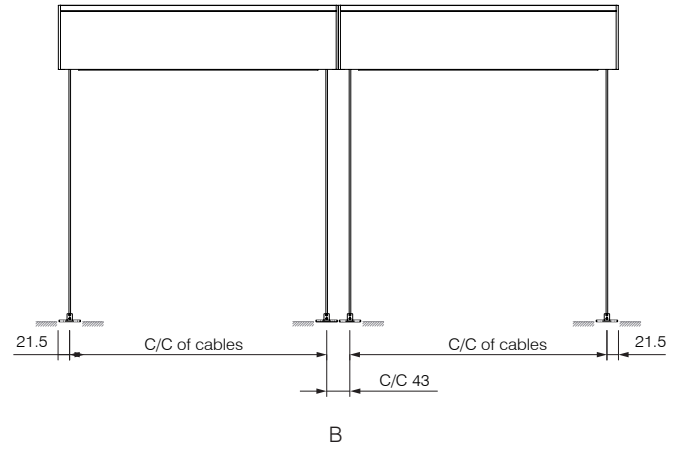
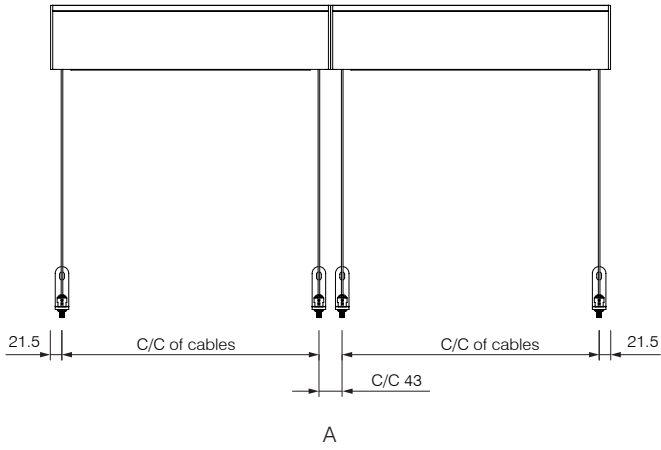
Bottom view



Top section view

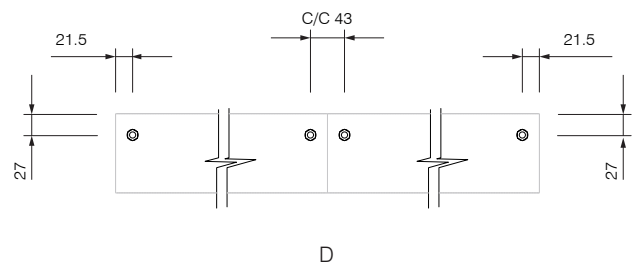
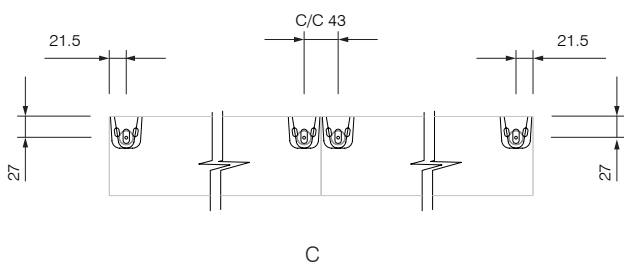
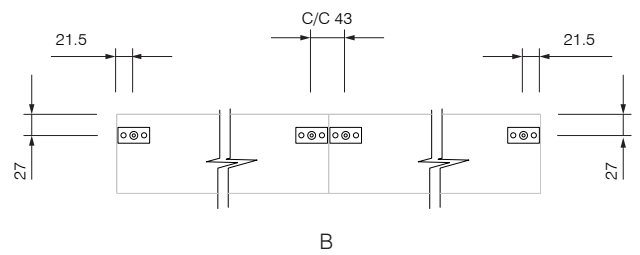
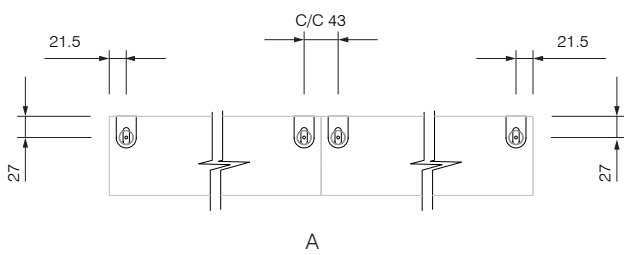
# Cable fixing options

## Front view – side-by-side & linked

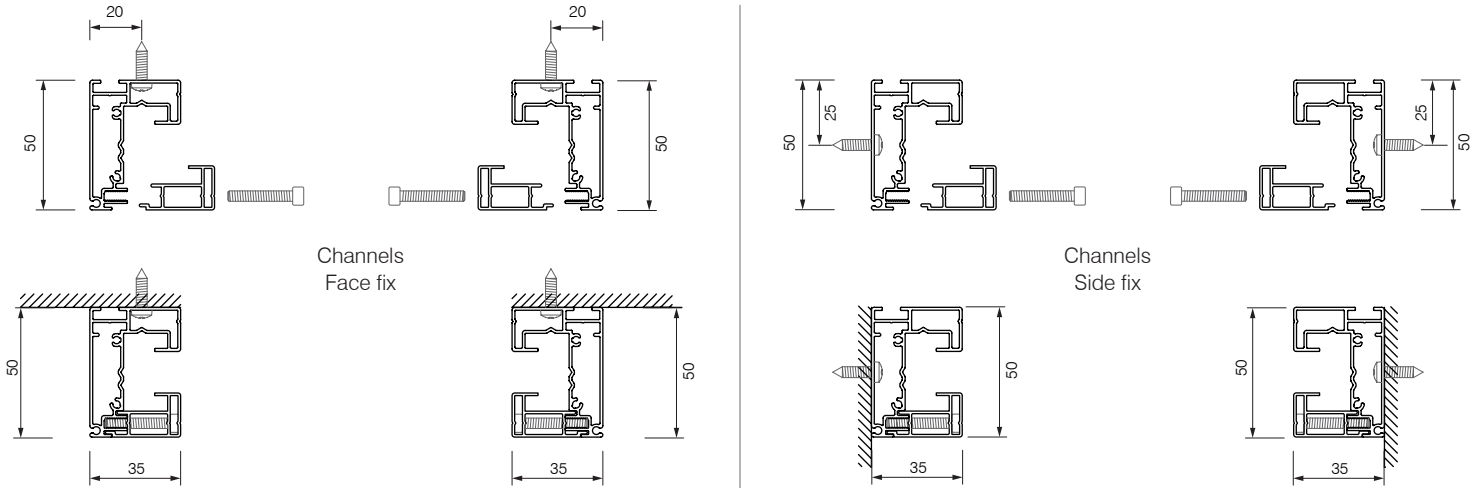


# Cable set out

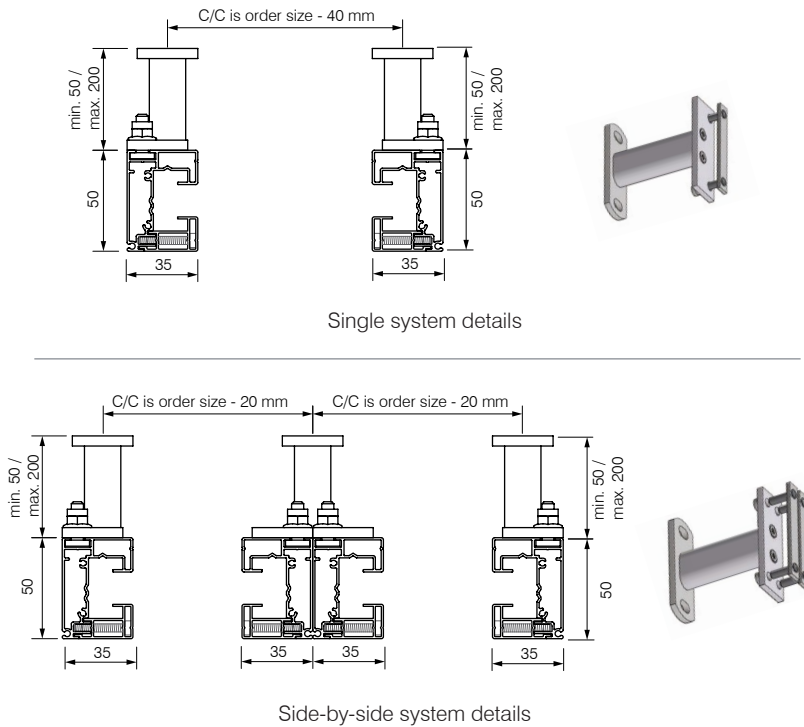
## Top view – side-by-side & linked



## Side channel fixing options

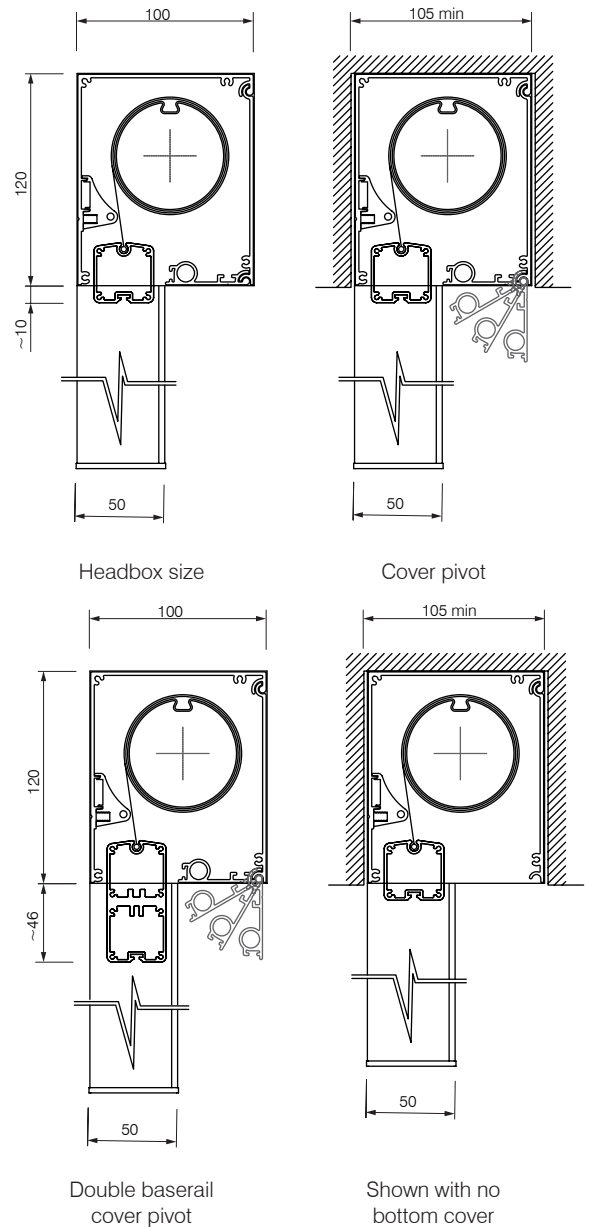


## Optional channel stand-off brackets detail



## HMX 100/R (Recess detail)

\*Size limitations apply for this model



## Power cable exit options

