

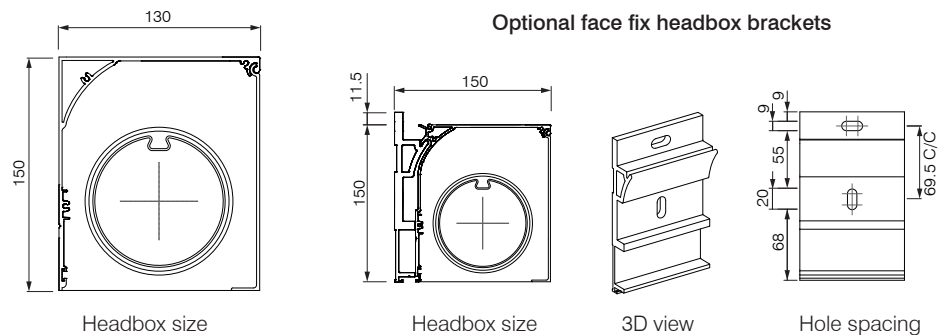
SYSTEM SPECIFICATIONS

Minimum width	800mm
Maximum width	5000mm (Not all fabrics are available to max width)
Maximum drop	3000mm (Not all fabrics are available to max drop)
Maximum area	15sqm
Linkable	No
Headbox	Yes
Fabric deductions	30mm per side
Operation	RTS motor (remote control) or WT motor (switch)

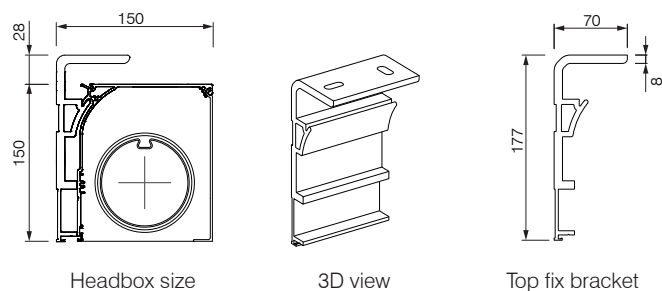
TECHNICAL INFORMATION

Headbox	Two part extruded aluminium headbox 130x150mm
End plates	Cast aluminium
Roller tube	80 / 85 / 95mm roller tube
Arms	34x34mm spring loaded arms
Front rails	50x33mm extruded aluminium
Range	150° arm arc range
Installation options	Face or top

Headbox details



Optional top fix headbox brackets



HMX 130 PIVOT

EXTERNAL BLIND

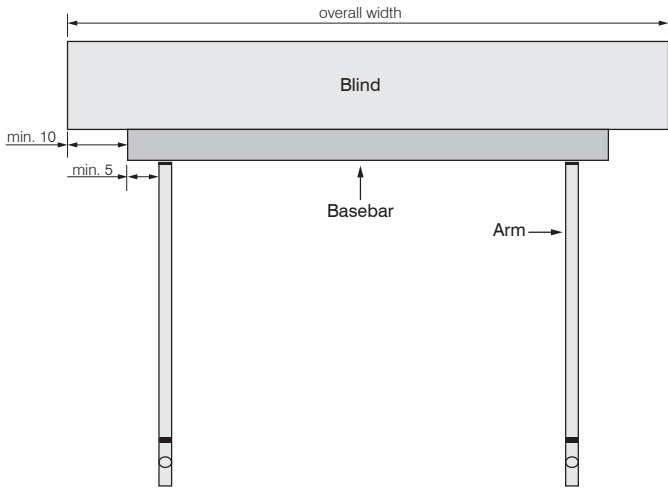
130x150mm HEADBOX



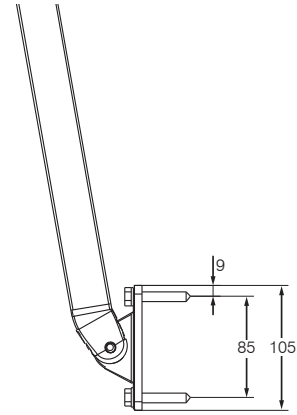
The Helioscreen **HMX 130 PIVOT** is an external pivot arm system built for durability and performance in the uniquely harsh Australian climate.

Designed and engineered in Europe, this is an uncompromising product of the highest quality, featuring a sturdy 130x150mm headbox, that allows many installation variations, including with optional headbox mounting brackets.

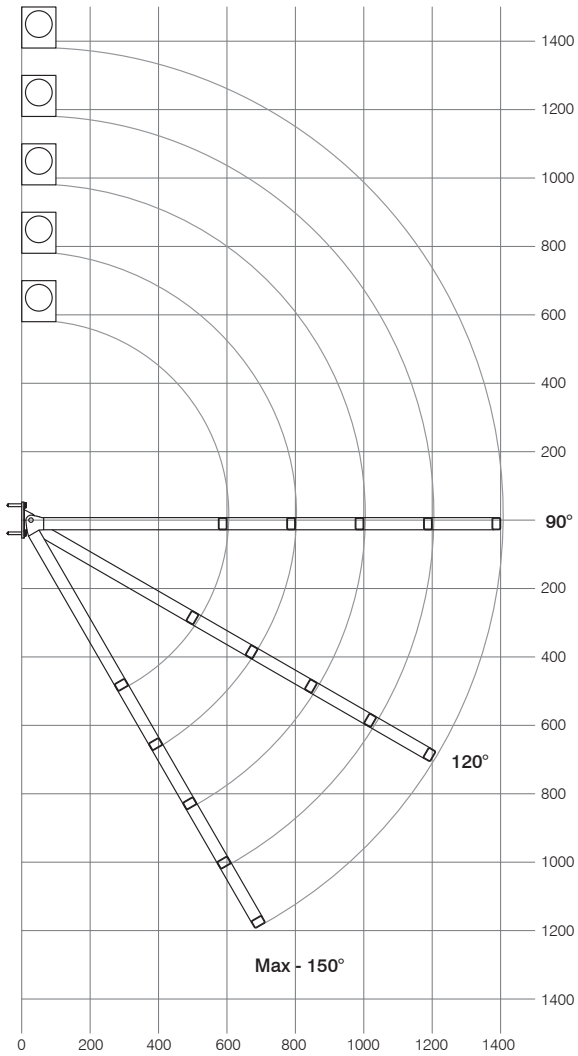
Pivot arm detail



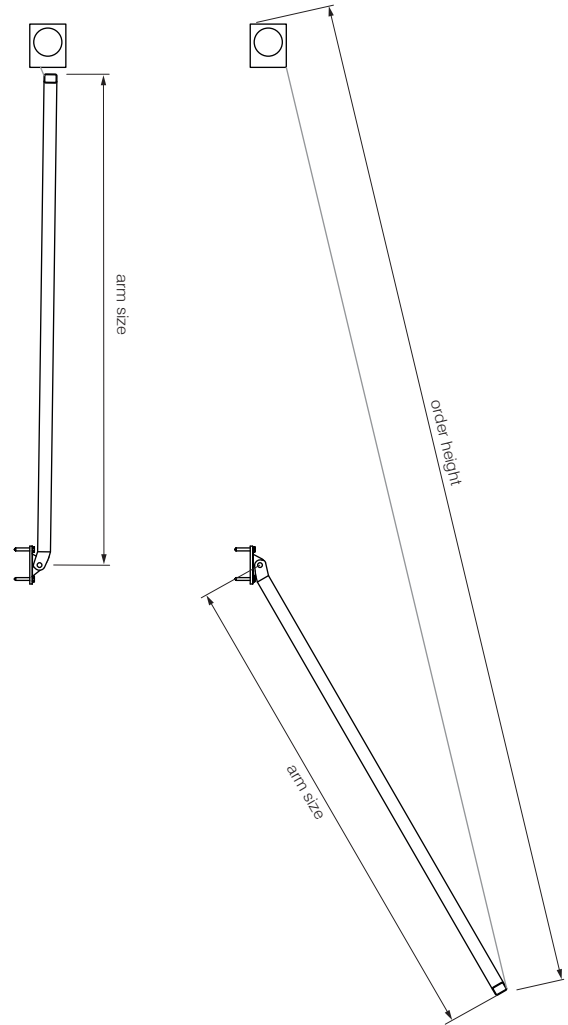
Front view



Arm mounting detail
(Width = 25mm)



Pivot arm – arc chart
Shows position of arms at various angles



Pivot arm charts

