

Varioscreen

RETRACTABLE SUNROOF



With its counter tension system, the **Varioscreen®** retractable sunroof is typically used to shade generously sized, square and rectangular glass areas or outdoor pergolas.

The installation slope doesn't provide any challenge with a variety of brackets to suit almost any installation type.

The awning is extended by means of an integrated positive lift, which pulls the fabric out to be stopped in any position. The stylish and compact full cassette head box protects the skin and the motor from all weather conditions.

Extension of the **Varioscreen®** awning takes place through the integrated positive lift (power-spring mechanism in the roller tube), which makes the awning resistant to light wind gusts for the entire life of the system (no coil springs or gas struts to replace ever!). Due to small lateral fabric deduction measurements, the **Varioscreen®** (even coupled systems) offers minimal light gaps.

SYSTEM SPECIFICATIONS

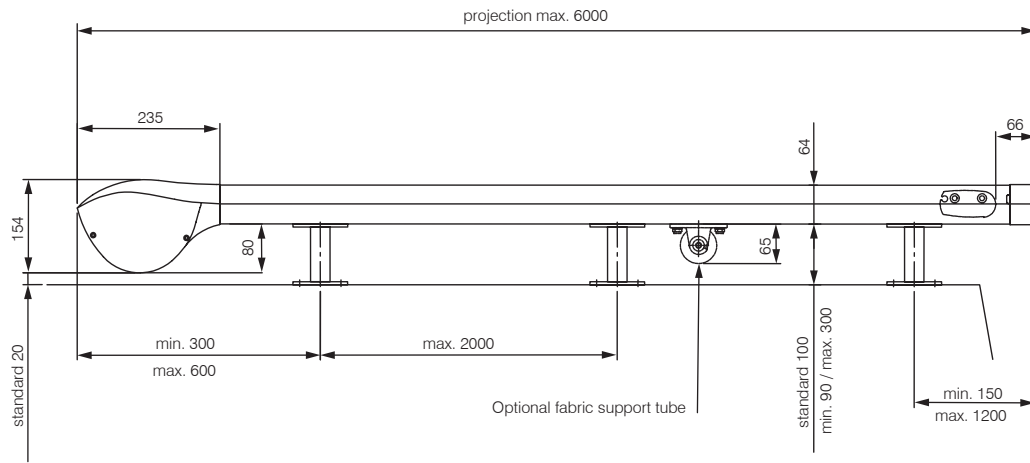
System	Varioscreen retractable sunroof
Minimum width	1000mm
Maximum width	6000mm
Maximum projection	6000mm
Maximum size	25sqm
Coupling system	Endless systems can be coupled together side-by-side
Installation angle	0-90°
Standard operation	Remote or switched motors
Fabric colours	Over 150 fabric colours
Standard frame colours	Over 120 Dulux and custom powdercoat colours
Premium frame colours	Over 50 Dulux Duratec and Electro commercial colours

TECHNICAL INFORMATION

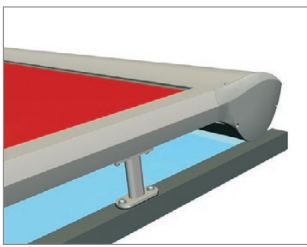
Headbox	235 x 154mm 2 piece headbox
Control end	Automated with remote control Connection to Building Management System (optional)
Roller tube	Galvanised steel 85/95mm diameter 2mm wall thickness
Guiding system	65 x 64mm extruded aluminium side channels Option to upgrade to side channels with integrated rain gutter
Front bar	Single part aluminium profile 91.5 x 44mm, wall thickness 2.5mm
Mounting	Distance, side, top and wall fix brackets
Sun and wind control systems	Optional automation via Soliris sun and wind sensor Automated reaction in high winds Adjustable wind sensitivity levels



System details



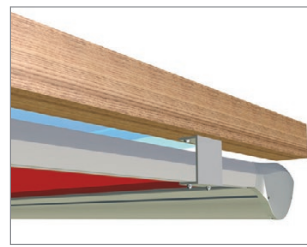
Mounting situations



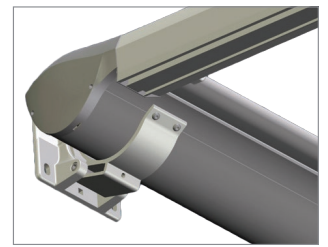
Distance leg – 90-300mm high
(100mm is standard. For heights over 200mm optional fabric support bar must be used.)



Side fix

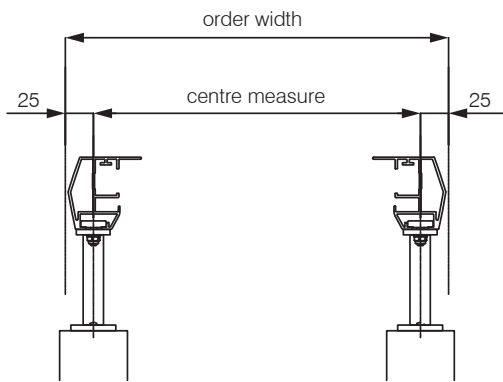


Top fix

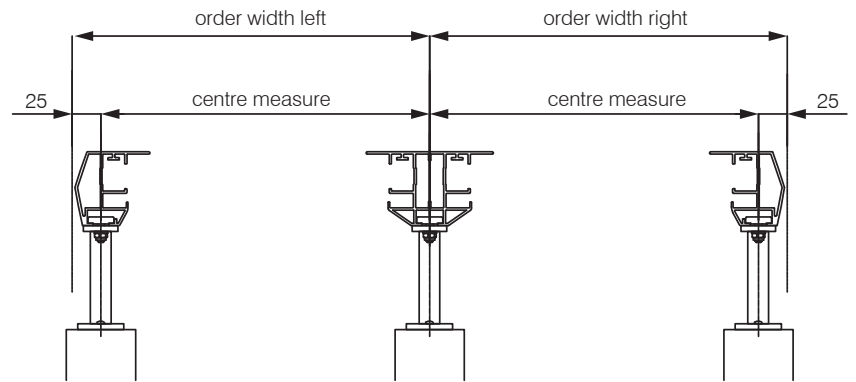


Wall bracket

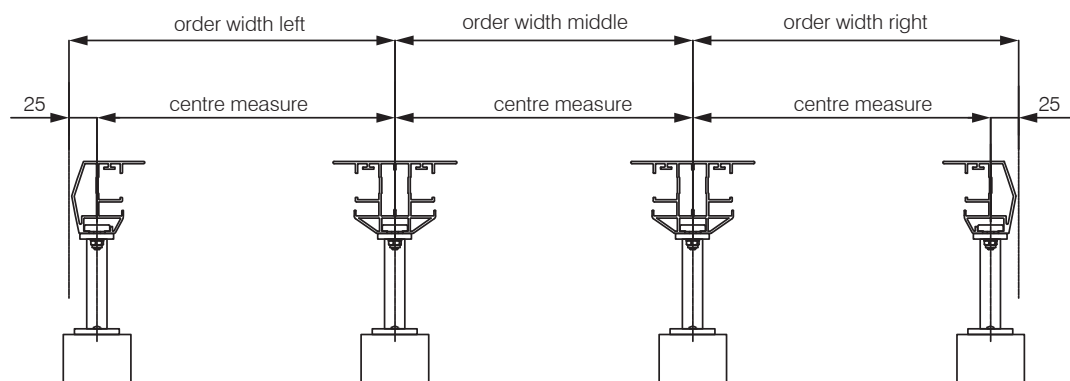
Units with distance brackets



Single system



Coupled system



Triple system

System layout



Single system – One motor



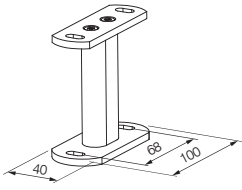
Coupled system – Two motors



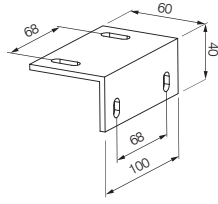
Triple system – Three motors

Note: Coupled systems have one motor each. Systems with different projections can be coupled but any middle common rails must be the length of the larger projection.

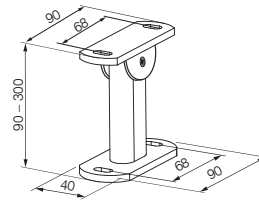
Bracket details



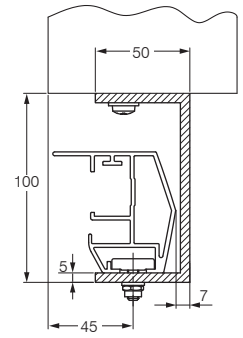
Distance bracket
2 Fixing holes: 9 x 14mm



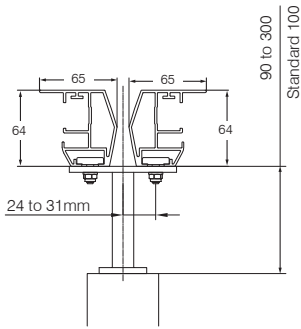
Support for side mounting
2 Side fixing holes: 8 x 14mm
2 Guide rail holes: 8 x 22mm



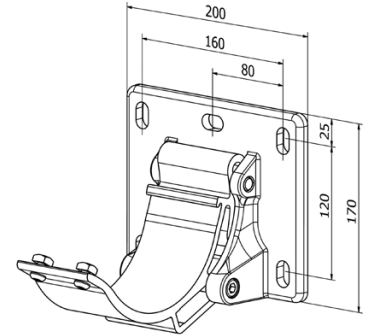
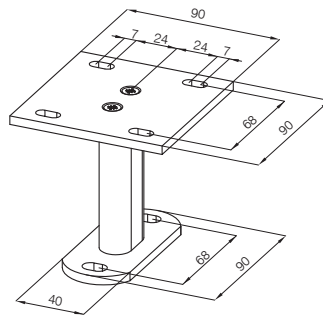
Angled distance bracket
2 Fixing holes: 9 x 14mm



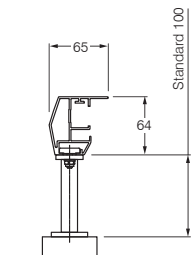
Top fix bracket



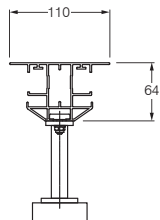
Common support for two single guide rails side-by-side



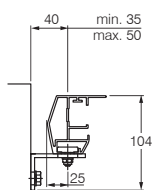
Wall mount bracket



Distanced mounting

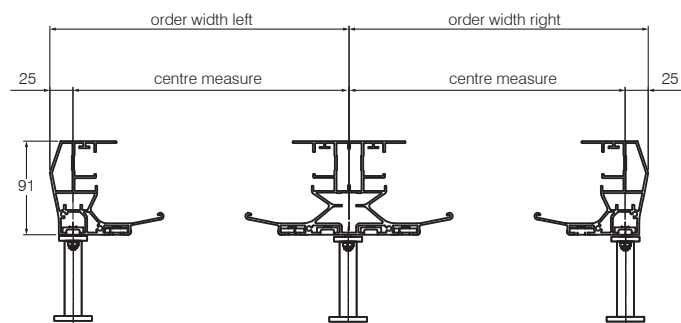
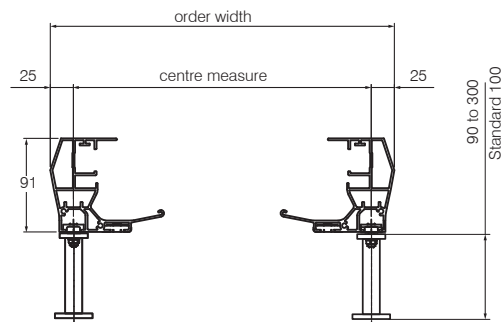
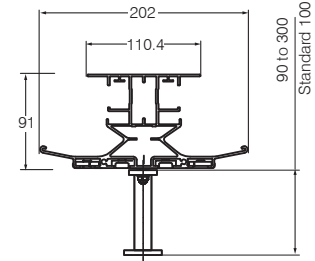
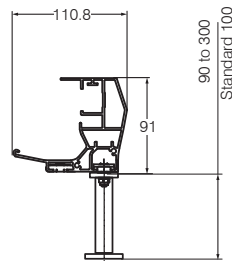


Double centre rail

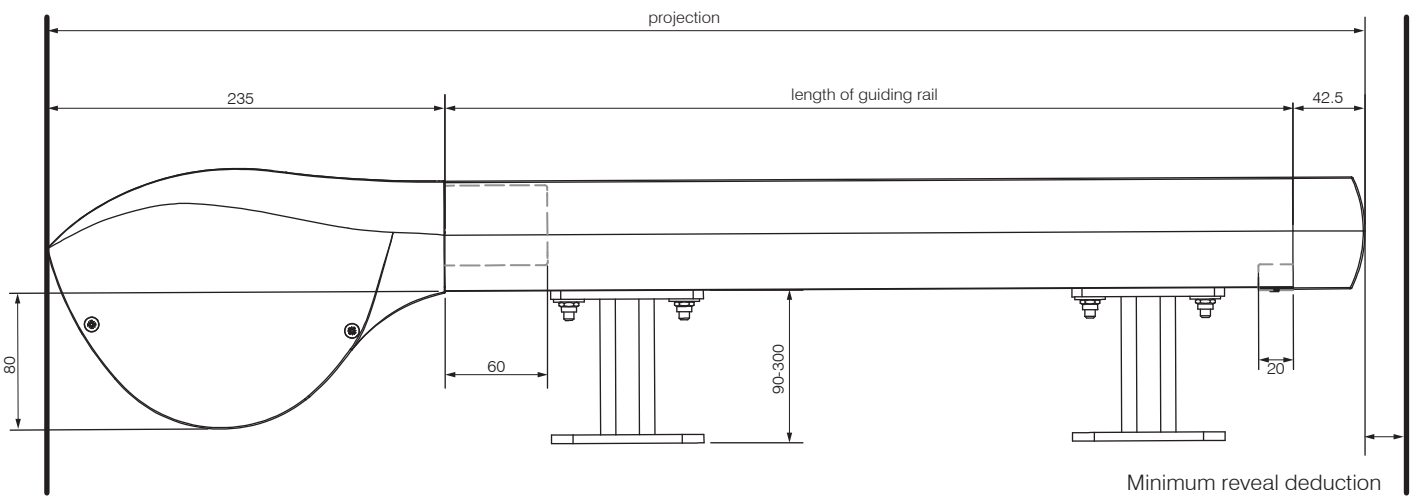


Side mounting

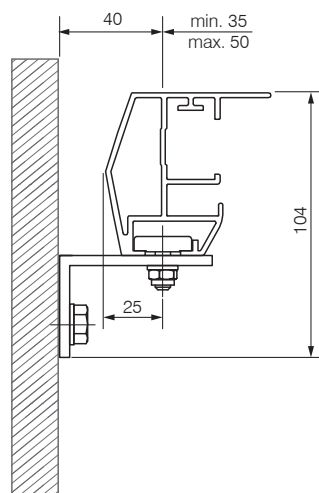
Gutter side rails



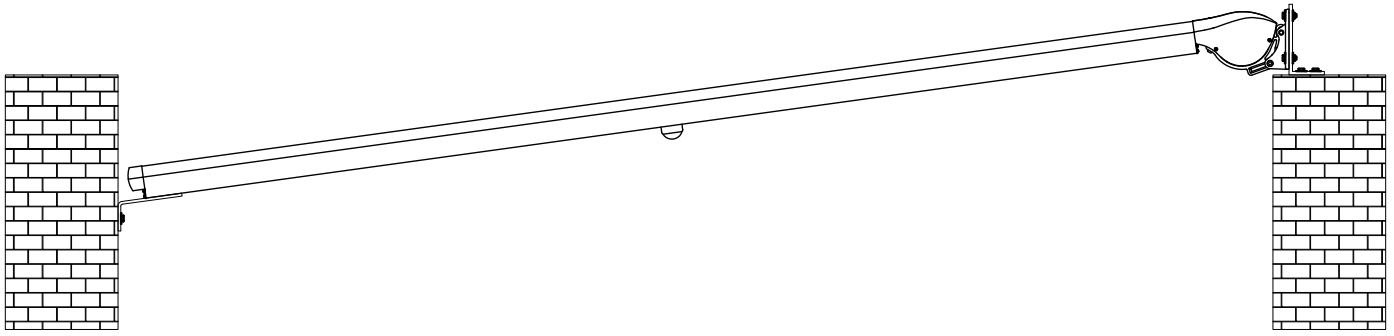
Reveal measurement deductions



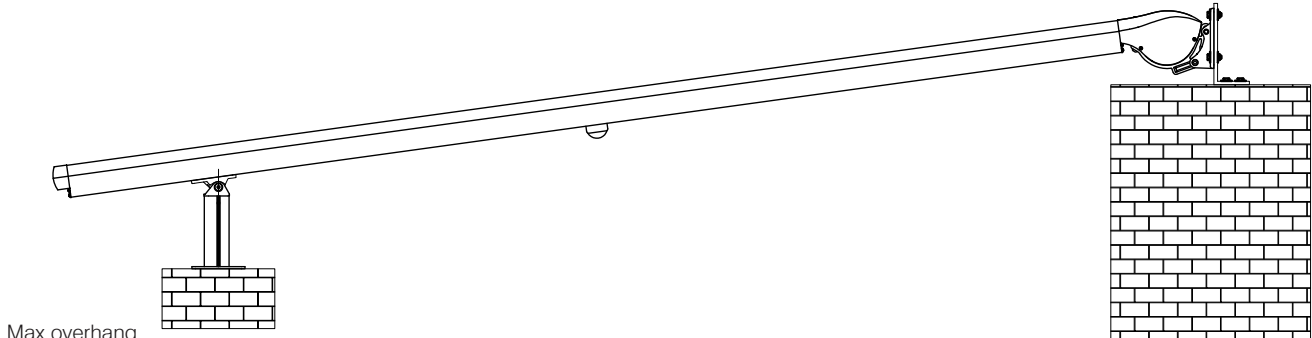
Minimum reveal deduction recommended is 25-30mm from tight projection



Installation examples

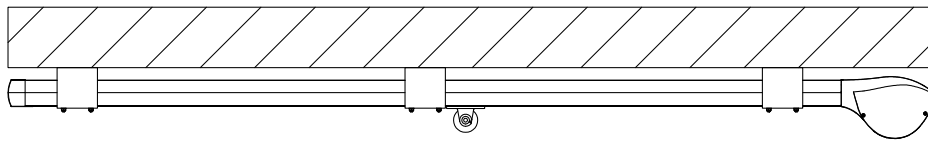


Reveal – Max span between walls = 6000mm

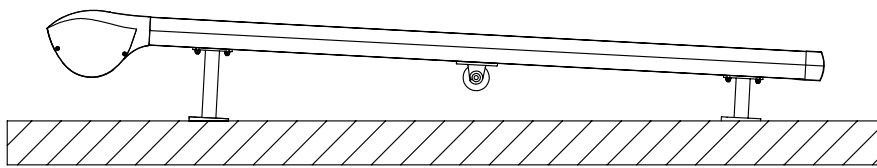


Max overhang
= 1500mm

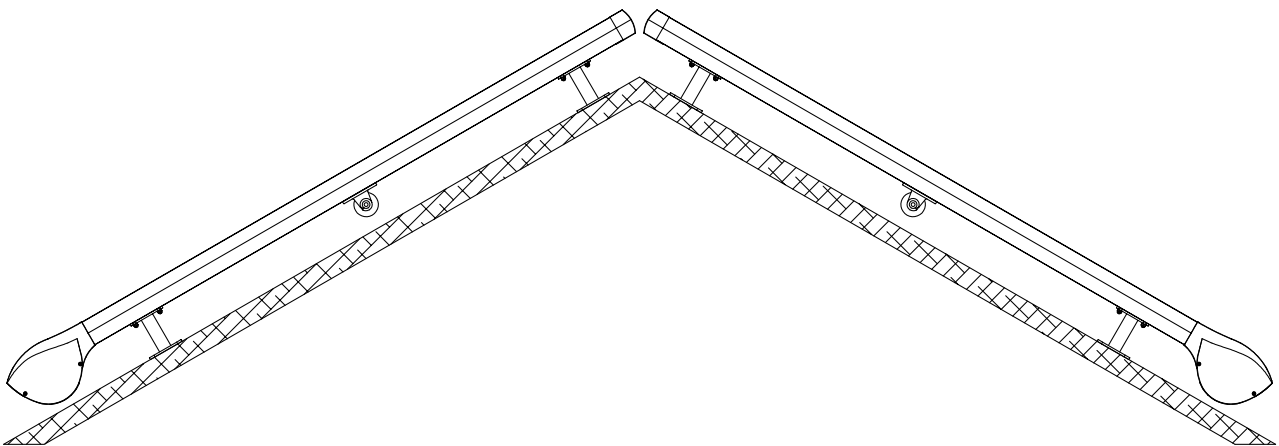
Down fix cassette with short front leg



Top fix

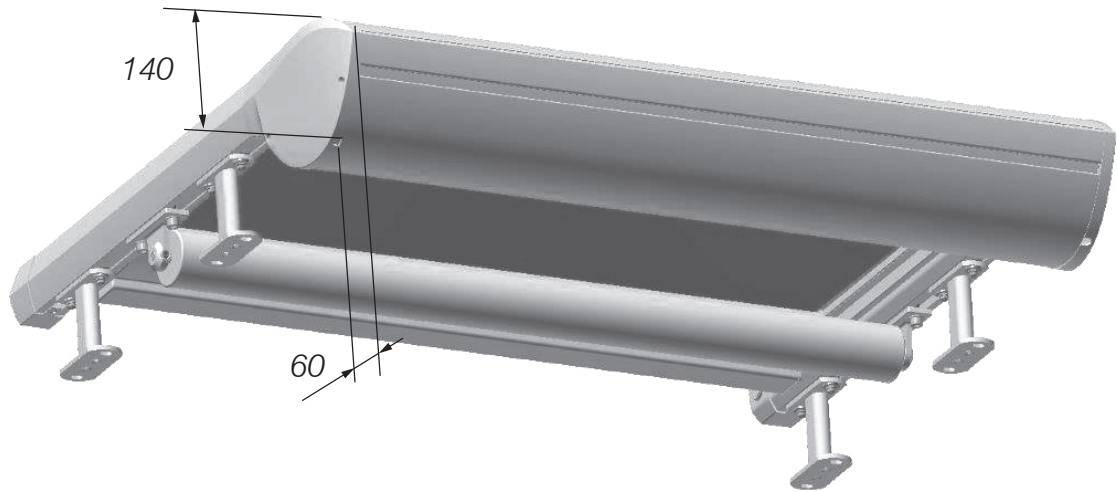


Sloped – min distance bracket height = 60mm; max 300mm



Inclined – Angle must be indicated on order so water drainage holes can be added

Power cable exits (left or right)



Approximate weights in kg

VARIOSCREEN

Width	1000	2000	3000	4000	5000	6000
Projection						
1000	25	36	47	58	69	80
2000	29	40	52	63	75	86
3000	33	44	56	68	80	92
4000	36	49	61	73	85	98
5000	40	53	65	78	91	
6000	44	57	70	83		

VARIOSCREEN (WITH SIDE GUTTERS)

Width	1000	2000	3000	4000	5000	6000
Projection						
1000	27	38	49	60	71	82
2000	33	44	56	67	79	90
3000	39	50	62	74	86	98
4000	44	57	69	81	93	106
5000	50	63	75	88	101	
6000	56	69	82	95		