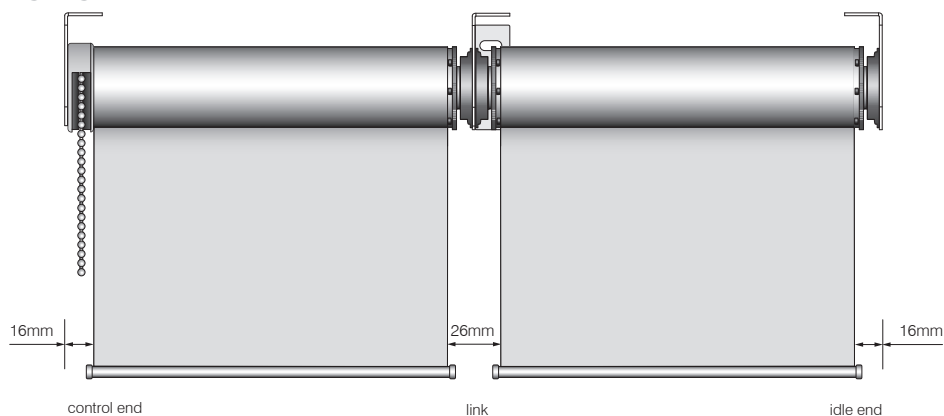


SYSTEM SPECIFICATIONS

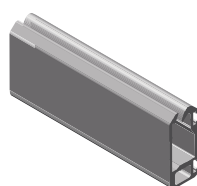
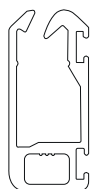
Minimum width	800mm
Maximum width	3400mm
Maximum drop	3800mm
Linkable	Yes, up to 3 blinds
Gear ratio	1 : 1
Minimum recess dimensions: (for single blinds)	Width 130mm / Height 120mm
Light gaps: (see diagram)	Control side 16mm Idle end side 16mm Between linked blinds 26mm

Light gaps



TECHNICAL INFORMATION: BASEBARS

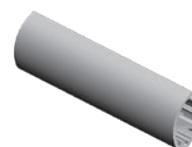
Size	The Force – Silent 31x13mm, Premium 33x13mm Oval 26x15mm, Round 22mm
Standard colours	Anodised, White, Barrister White, Black
Options	Custom powder coating available



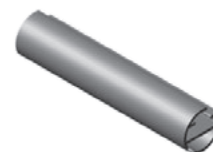
The Force – Silent
31x13mm



Premium
33x13mm



Oval
26x15mm



Round
22mm

HCH 60

INTERNAL MANUAL ROLLER BLINDS



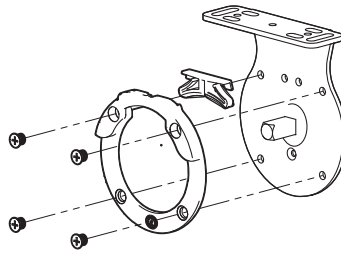
The **HCH 60** heavy duty chain operated system is extremely versatile and is ideal for medium to large windows in both domestic and commercial applications.

This premium system features a 1 : 1 gear ratio for fast operation and is assisted by a heavy duty spring. The **HCH 60** system is capable of linking up to three blinds off one chain, making the shading of very large glazed areas a breeze.

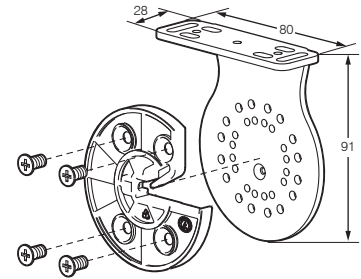
As with all Helioscreen roller blinds, stainless steel chain comes standard.

TECHNICAL INFORMATION: BRACKETS

Size	80 x 28mm fixing plate 91mm projection
Standard colours	White, Black
Details	Chain securing guard on control bracket Locking pin on Idle bracket



Control side bracket

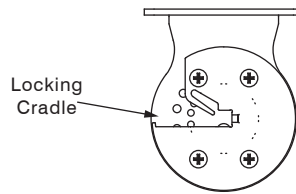
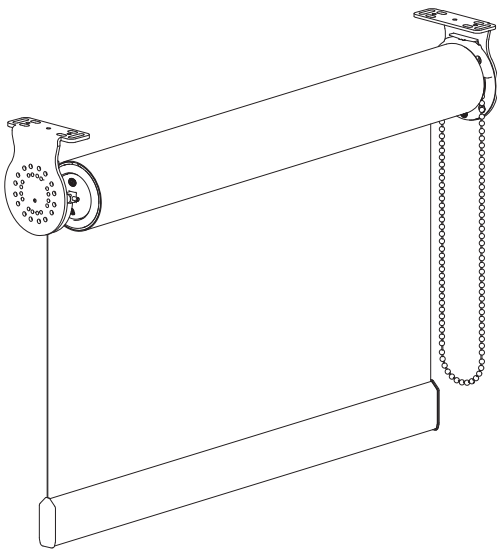


Pin side bracket

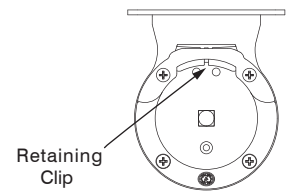
TECHNICAL INFORMATION: ROLLER TUBE

Roller tube	60mm extruded aluminium 1.94mm wall thickness 8mm fabric slot with 7 strengthening fins
Control	High tensity wound steel wire coiled spring booster Stainless Steel or Plastic Chain
Idler	Snap lock spring loaded idle pin

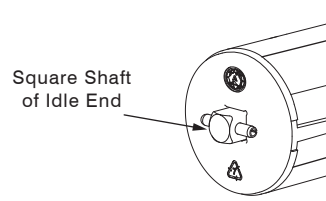
HEAVY DUTY CHAIN WINDER SYSTEM



Locking Cradle



Retaining Clip



Square Shaft of Idle End