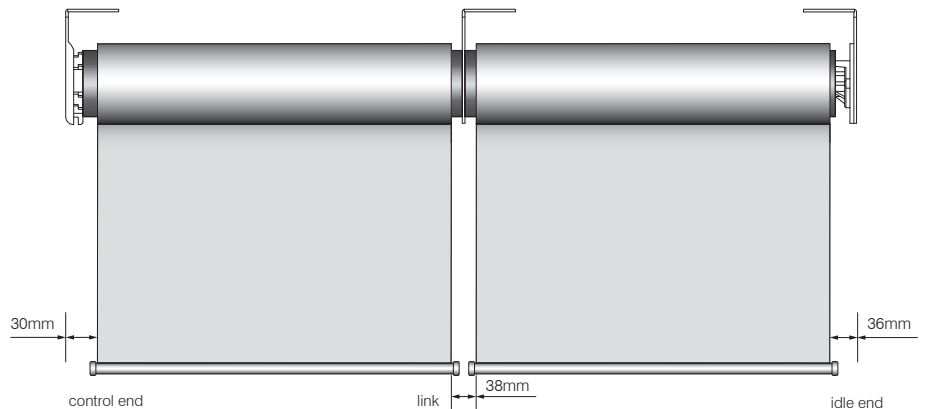


SYSTEM SPECIFICATIONS

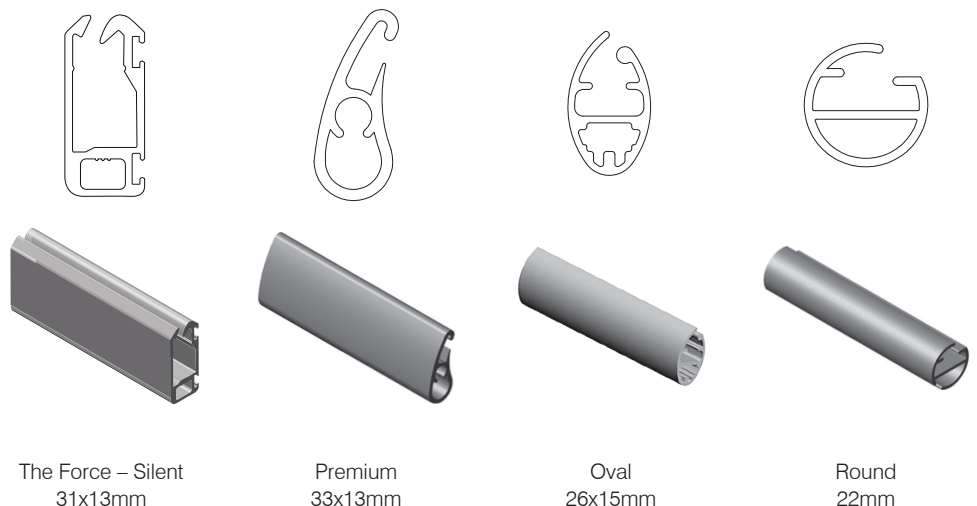
Minimum width	800mm
Maximum width	4400mm
Maximum drop	3800mm
Linkable	Yes, up to 3 blinds, depending on size
Dual brackets	No
Minimum recess dimensions: (for single blinds)	Width 170mm / Height 150mm
Light gaps: (see diagram)	Control side 30mm Idle end side 36mm Between linked blinds 38mm

Light gaps



TECHNICAL INFORMATION: BASEBARS

Size	The Force – Silent 31x13mm, Premium 33x13mm Oval 26x15mm, Round 22mm
Standard colours	Anodised, White, Shoji White, Barrister White, Barley, Dune, Black
Options	Custom powder coating available



The Force – Silent
31x13mm

Premium
33x13mm

Oval
26x15mm

Round
22mm

HM 100

INTERNAL MOTORISED ROLLER BLINDS



The **HM 100** internal motorised roller blind provides the solution for large span windows in commercial and domestic interiors.

The 100mm roller tube features reinforced ribbing that assists the tube in carrying the additional weight of the fabric, providing options for greater drops. The diameter of the tube also plays a significant role in reducing the amount of revolutions required to operate the blind enabling the fabric to rotate on the tube efficiently.

The system has the capability of linking multiple blinds and is easily integrated into automation systems, controlled remotely via App or handheld device.

TECHNICAL INFORMATION: BRACKETS

Size 105 x 50mm fixing plate
130mm projection

Standard colours White, Black
Custom powder coating available

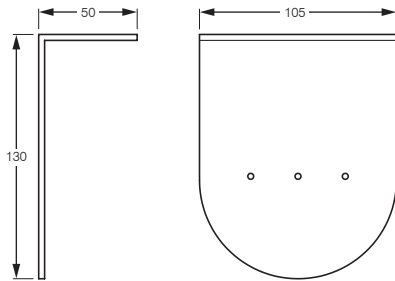
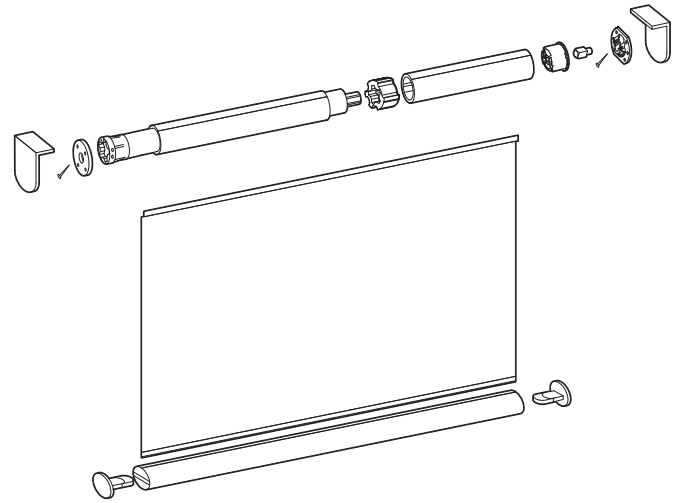
TECHNICAL INFORMATION: ROLLER TUBE

Roller tube 100mm extruded aluminium
2mm wall thickness with 8 strengthening fins

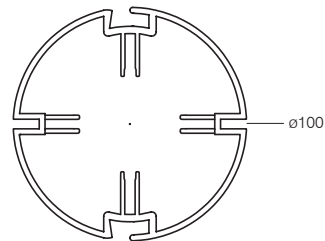
Control Motor by Somfy – remote controlled, wall switch
or through a building management system

Multitude of single and multi-channel remotes
available, as well as automatic timers and sensors

Idler Nylon 6 construction



Mounting bracket



Roller tube