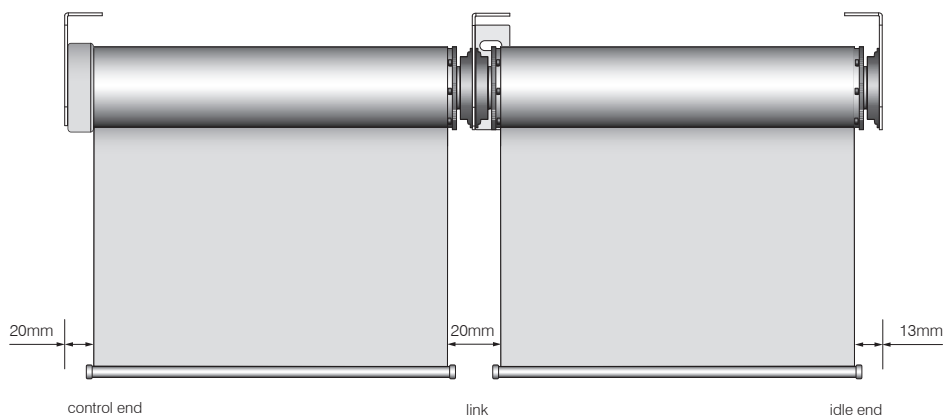


## SYSTEM SPECIFICATIONS

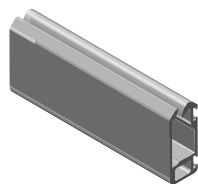
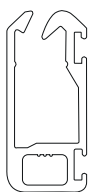
Minimum width	800mm
Maximum width	2800mm
Maximum drop	3200mm
Linkable	Yes, 2 medium or 3 small blinds
Dual brackets	Yes
Minimum recess dimensions: (for single blinds)	Width 80mm / Height 85mm
Light gaps: (see diagram)	Control side 20mm Idle end side 13mm Between linked blinds 20mm

### Light gaps



### TECHNICAL INFORMATION: BASEBARS

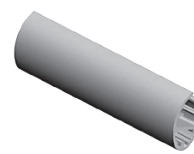
Size	The Force – Silent 31x13mm, Premium 33x13mm Oval 26x15mm, Round 22mm
Standard colours	Anodised, White, Shoji White, Barrister White, Barley, Dune, Black
Options	Custom powder coating available



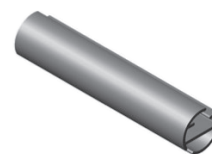
The Force – Silent  
31x13mm



Premium  
33x13mm



Oval  
26x15mm



Round  
22mm

## HM 43 00

### INTERNAL MOTORISED ROLLER BLINDS



The **HM 43 00** internal motorised system is the ideal solution for small to medium windows in both domestic and commercial applications. Effortlessly installed into recesses and pelmets, or stand alone, it provides a streamlined aesthetic look in any interior.

Easily integrated into home and building automation systems, it offers a multitude of linking solutions coupled with the option for dual shading requirements, making it one of Helioscreen's most versatile roller blind systems.

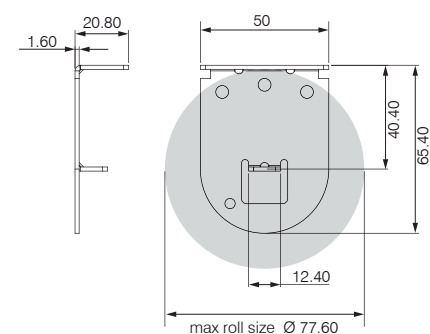
## TECHNICAL INFORMATION: BRACKETS

Size	50 x 21mm fixing plate 66mm projection
Standard colours	White, Black, Grey
Options	Dual blind brackets available

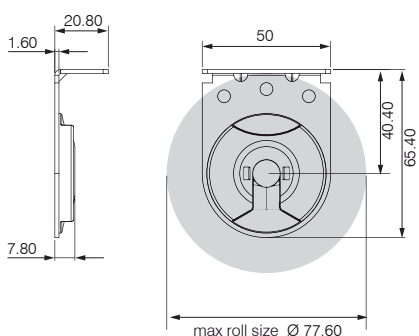
## TECHNICAL INFORMATION: ROLLER TUBE

Roller tube	43mm extruded aluminium 1.1mm wall thickness Heavy duty tube option: 48mm
Control	Motor by Somfy – remote controlled, wall switch or through a building management system  Multitude of single and multi-channel remotes available, as well as automatic timers and sensors
Idler	Nylon 6 Spring loaded and extendable idle pin

### Single brackets

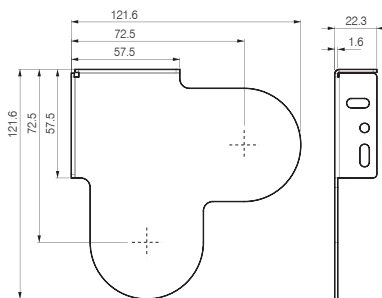


Control side

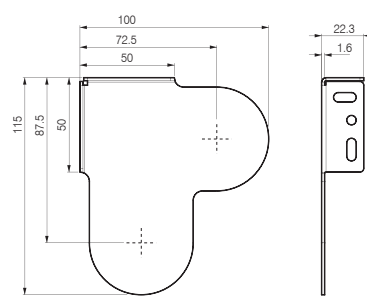


Idle side

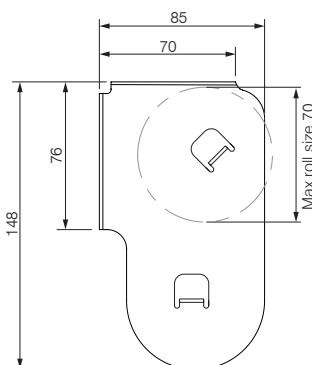
### Dual brackets



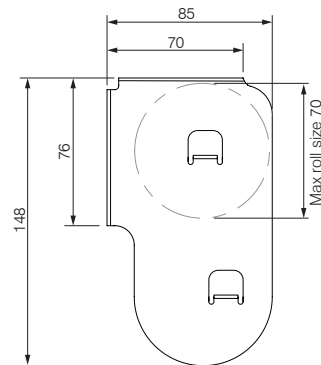
**Square Combo**  
Motors same side  
(Top blind must be reverse rolled)



**Slimline**  
Motors either side  
(Top blind must be reverse rolled)



**Super Slimline – Top Front**  
Motors same side  
(Top blind must be reverse rolled)



**Super Slimline – Top Back**  
Motors same side  
(Top blind must be standard rolled)

## TECHNICAL INFORMATION: OPTIONAL FASCIA / PELMET

### 95mm Rounded pelmet

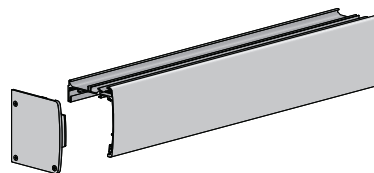
Details	Includes top which keeps off dust (85mm) Top or Face Fix brackets 3mm wide endcaps
---------	--

Standard colours	White, Black, Anodised
------------------	------------------------

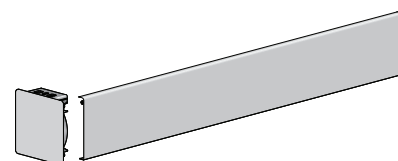
### 100mm Flat fascia

Details	Top or Face Fix (face fix with the endcaps) 4mm wide endcaps
---------	---

Standard colours	White, Black, Anodised
------------------	------------------------



95mm Rounded pelmet



100mm Flat fascia