

SYSTEM SPECIFICATIONS

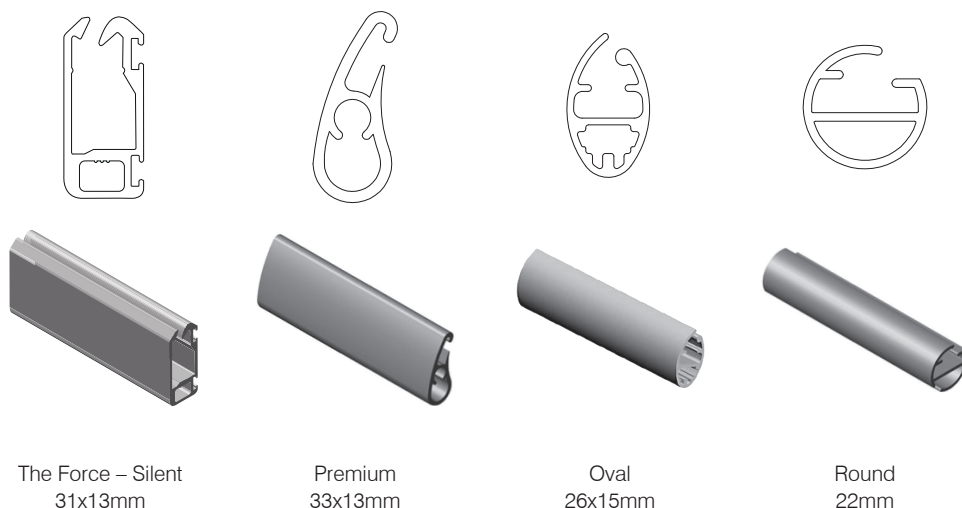
Minimum width	800mm
Maximum width	6000mm
Maximum drop	3800mm
Linkable	No
Dual brackets	No
Minimum recess dimensions: (for single blinds)	Width 200mm / Height 180mm
Light gaps: (see diagram)	Control side 44mm Idle end side 44mm

Light gaps



TECHNICAL INFORMATION: BASEBARS

Size	The Force – Silent 31x13mm, Premium 33x13mm Oval 26x15mm, Round 22mm
Standard colours	Anodised, White, Barrister White, Black
Options	Custom powder coating available



HM 130

INTERNAL MOTORISED ROLLER BLINDS



The **HM 130** internal motorised roller blind provides the solution for extremely large sized windows in commercial and domestic interiors.

The 130mm roller tube plays a significant role in reducing the amount of revolutions required to operate the blind enabling the fabric to rotate on the tube efficiently.

Heavy duty mounting brackets and stunningly engineered componentry enable smooth and trouble free operation for many years.

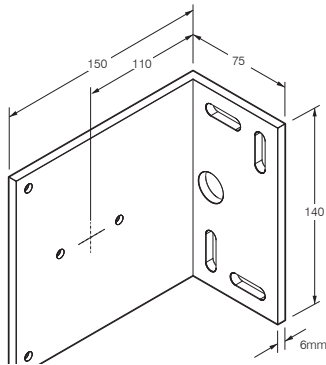
Using Somfy motors, this system can be easily integrated into automation systems, controlled remotely via App or handheld device.

TECHNICAL INFORMATION: BRACKETS

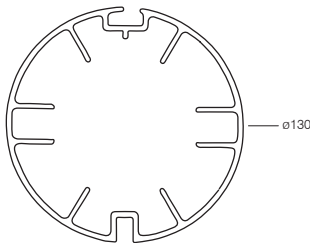
Size	140 x 75mm fixing plate 150mm projection
Standard colours	White, Black Custom powder coating available

TECHNICAL INFORMATION: ROLLER TUBE

Roller tube	130mm extruded aluminium 3mm wall thickness with 8 strengthening fins
Control	Motor by Somfy – remote controlled, wall switch or through a building management system Multitude of single and multi-channel remotes available, as well as automatic timers and sensors
Idler	Nylon 6 and stainless steel with ball bearings



Mounting bracket



Roller tube