

## SYSTEM SPECIFICATIONS

System	Helioshade Fabric-cassette retractable awning
Minimum width	1980mm
Maximum width	7000mm
Maximum projection	4000mm (4500mm *only possible from 5 – 6.5m wide)
Installation angle	5-45°
Standard operation	Motor (gear unit and hand crank possible)
Fabric colours	Over 150 fabric colours
Standard frame colours	Over 120 Dulux and custom powdercoat colours
Premium frame colours	Over 50 Dulux Duratec and Electro commercial colours
Valance option	Fabric valance and Vario-valance

## TECHNICAL INFORMATION

Brackets	Face, top, rafter/soffit fix and fascia brackets
	Face/wall mount brackets: 60 x 238mm
	Top fix brackets: 195 x 238mm
	Fascia brackets: 0°, 10°, 20° and 30° (for up to 3000mm projection)
Mechanism	Helioshade Fabric-cassette offers the awning fabric and motor protection from the elements
	Extremely corrosion resistant due to chromatising of all aluminium parts as well as nuts and screws made of high grade stainless steel
	Architectural grade extruded aluminium
	Articulated folding arms
Vario-valance (max 3500mm projection)	High quality extruded and drop-forged arms offer safety and reliability even under extreme loads
	Unique "Multiflex" power band system ensures proper tensioning of the fabric and consists of four tear-resistant steel cables
	Extendable valance to a maximum of 1600mm drop
	Discreet design harmonises with awning appearance
Testing	Offers additional privacy and sun protection
	Crank operated
	Tested for 70,000 arm operations
	Tested in winds equivalent to 40-50km/hr
Sun and wind control systems	Optional automation via wind control sensor
	Optional automation via Soliris sun and wind sensor
	Automated reaction in high winds
	Adjustable wind sensitivity levels

# Helioshade® Fabric-cassette

## FOLDING ARM AWNING



An elegant and compact fabric-cassette awning, the **Helioshade® Fabric-cassette** offers the fabric and motor full protection from the elements with its unique adjustable angle cassette.

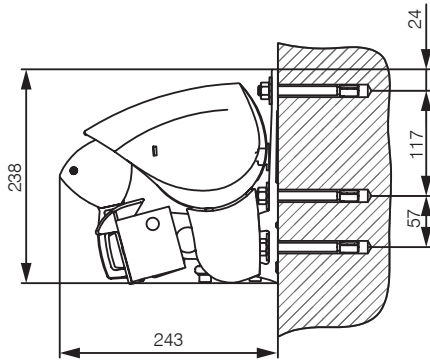
The **Fabric-cassette** is mounted via a integrated torque bar with numerous mounting options making it a universal awning suitable for a large range of applications.

Top quality materials including chromatised aluminium and marine grade stainless steel screws, along with precision engineering down to the last detail ensure perfect functionality, durability and corrosion resistance.

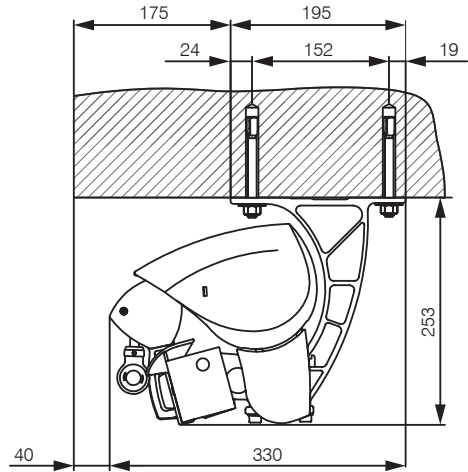
High strength extruded brackets guarantee a sound fixing, even on difficult façades. The **Fabric-cassette** can be fully automated with sun, wind or rain sensors.



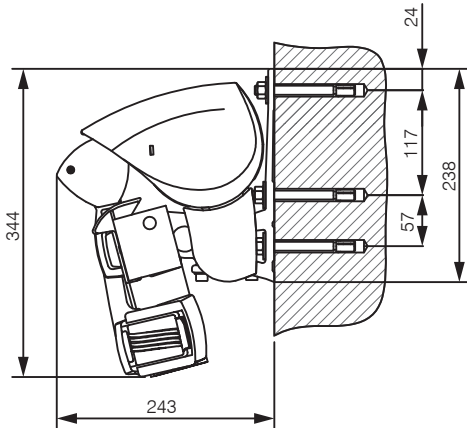
# Mounting situations



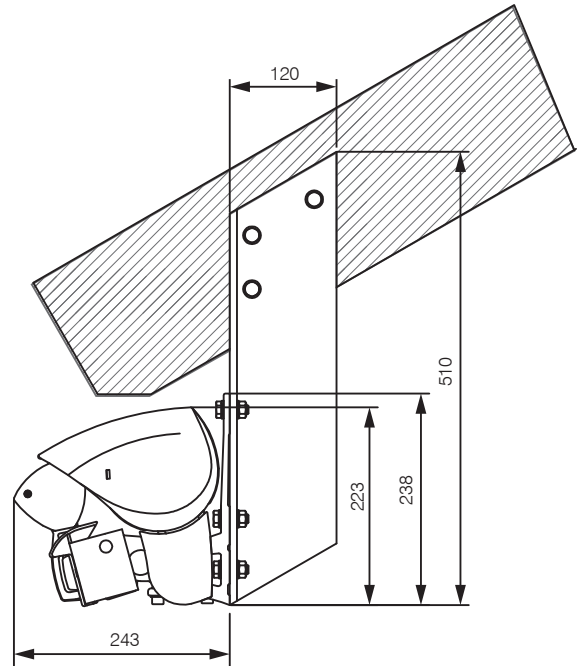
Face mount  
5°-45°



Top mount  
5°-45°

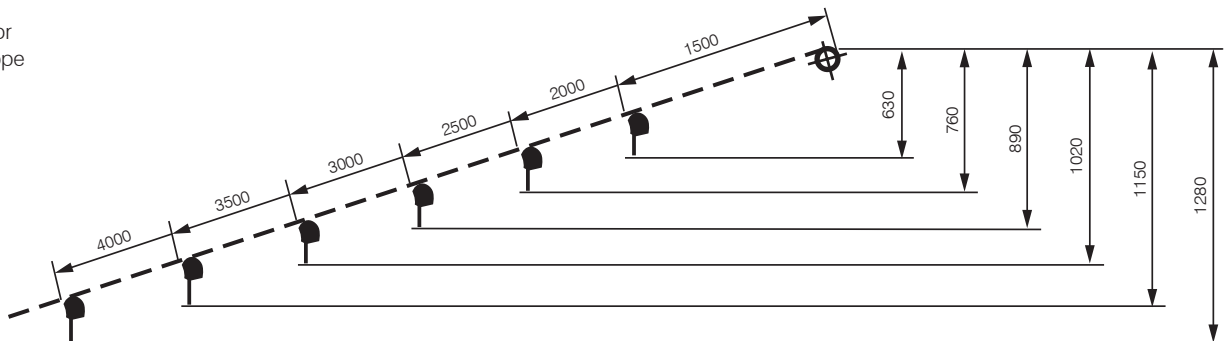


Face mount (with crossed arms)  
5°-30°

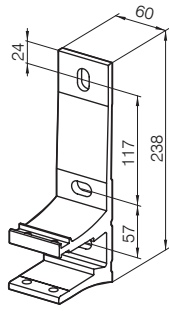


Rafter mount

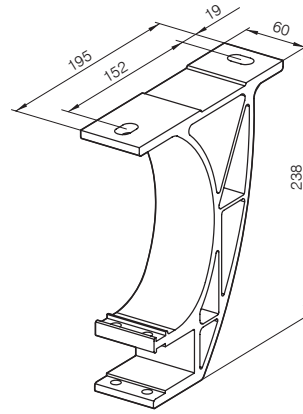
System height for  
standard 15° slope



## Bracket details

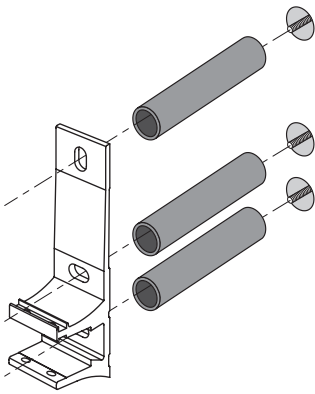


Wall mount  
3 Holes: 14 x 24mm

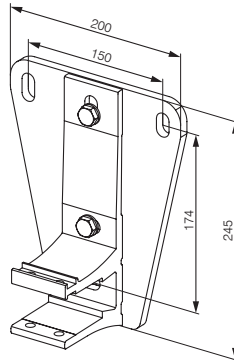


Top mount  
2 Holes: 14 x 24mm

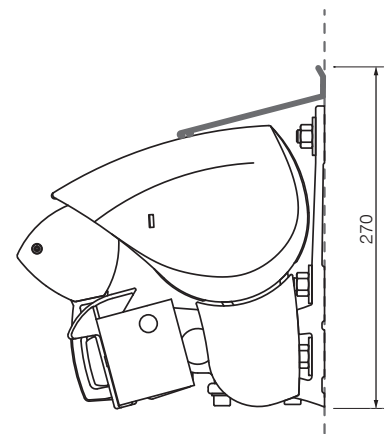
## Installation options



Distance tube

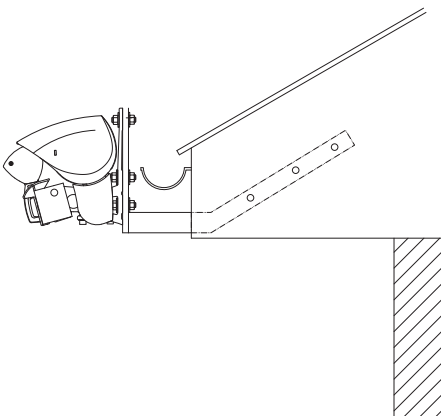


Bracket spreader plate



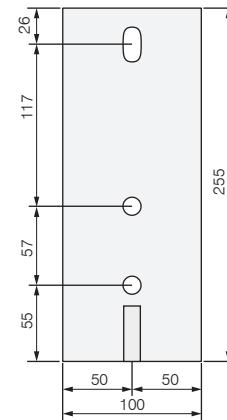
Wall gap profile

## Installation variations

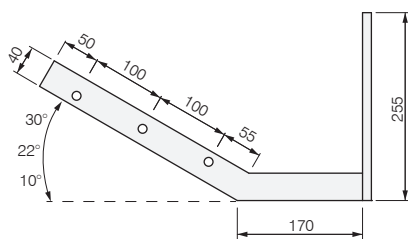


Fascia bracket installation

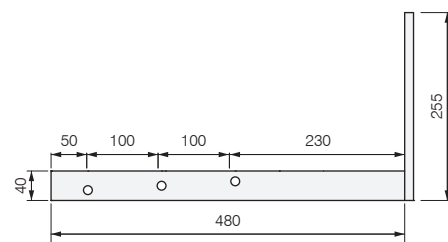
(12mm steel – all holes Ø12mm)



Face

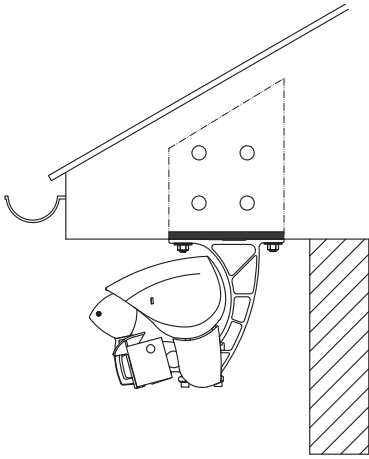


Angled

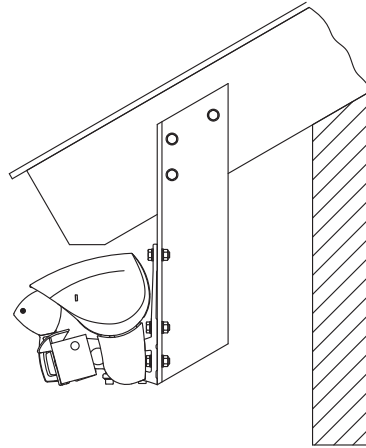


0 Degrees

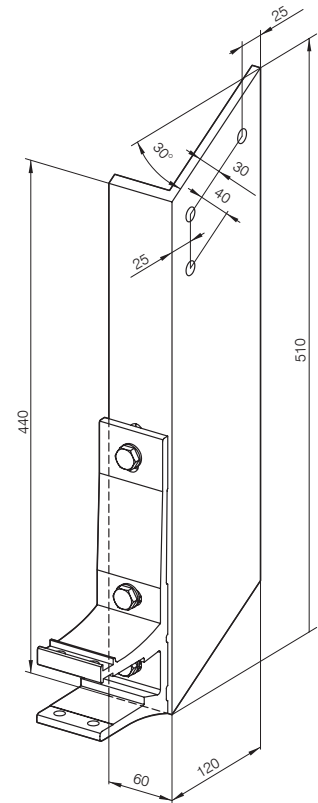
## Installation variations



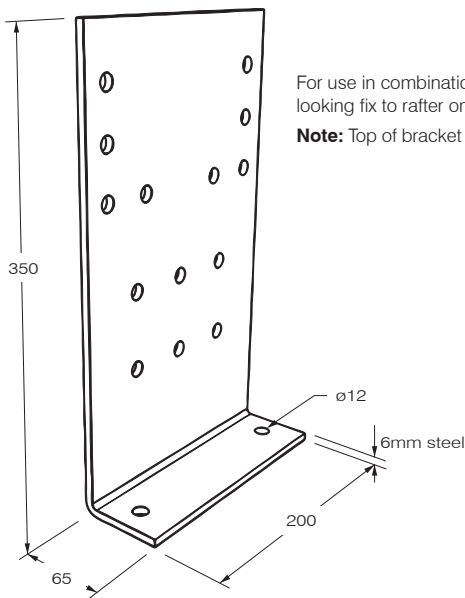
Soffit / under eaves



Exposed rafter installation



Rafter mount  
3 Holes: 12mm



Soffit / rafter fix bracket

For use in combination with the top fix bracket for a neat looking fix to rafter on underside of eave through soffit.  
**Note:** Top of bracket may need to be cut off at angle of rafter.

## Approximate weights in kg

Proj	1500	2000	2500	3000	3500	4000	4500	Vario- Valance
<b>Width</b>								
1250	32							2
1500	34	36						3
1750	36	38	40					3
2000	39	40	43	44				3
2250	40	43	45	46	50			4
2500	43	45	47	49	53	54		4
2750	45	47	50	51	55	57		4
3000	47	49	52	54	58	59		5
3250	50	51	54	56	60	62		5
3500	52	54	56	58	63	64		6
3750	54	56	59	60	65	67		6
4000	57	58	61	63	67	69		6
4250	59	61	63	65	69	72		7
4500	61	63	66	68	72	74		7
4750	64	65	68	70	74	76		7
5000	66	68	70	72	77	79	83	8
5250	68	70	73	75	79	81	85	8
5500	70	72	75	77	82	84	88	8
5750	73	75	78	80	84	86	90	9
6000	75	77	80	82	87	89	93	9
6250	77	80	82	84	89	91	95	9
6500	80	82	85	87	91	94	98	10
6750	87	89	93	96	102	105		10
7000	89	92	96	98	105	108		11

## Power cable exits (left or right)

