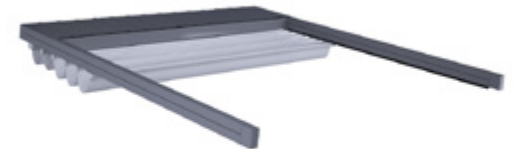
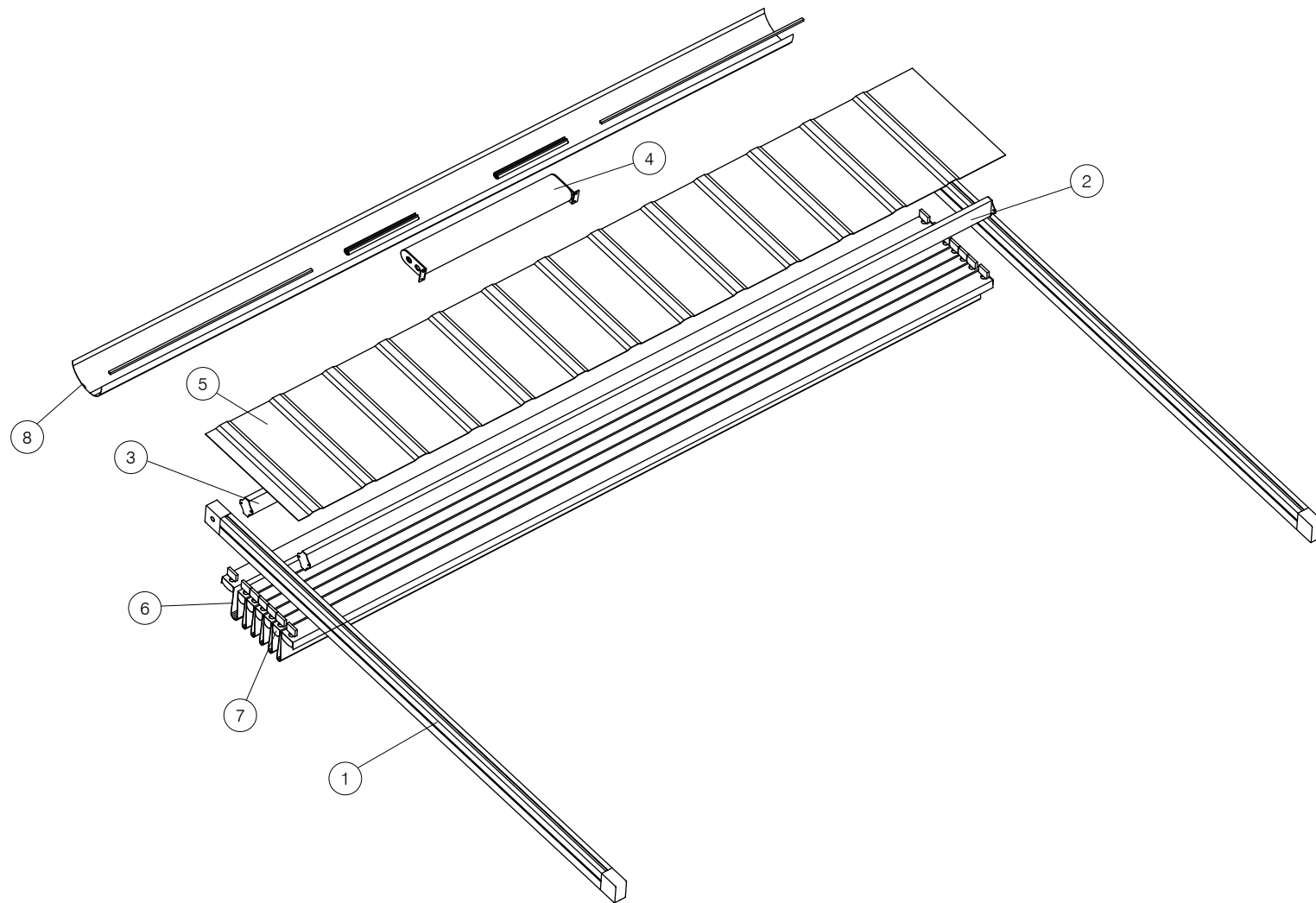




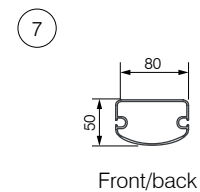
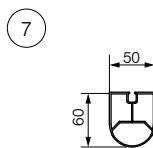
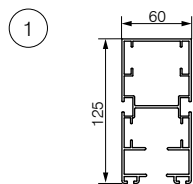
All Season Range  
**Pure Series HS20**  
Technical Specifications

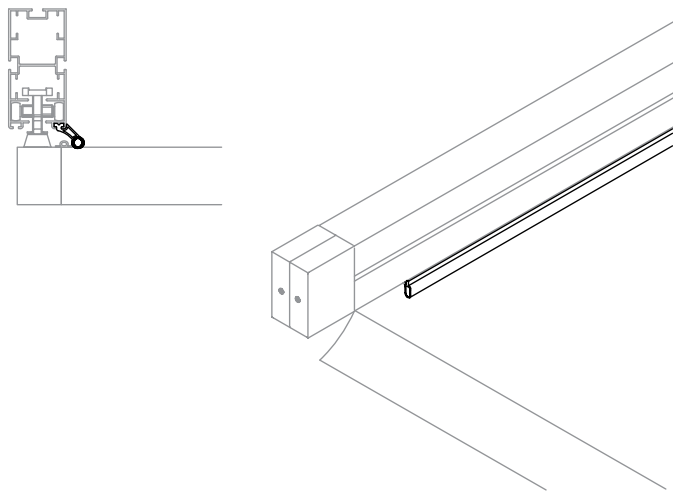


**helioscreen®**



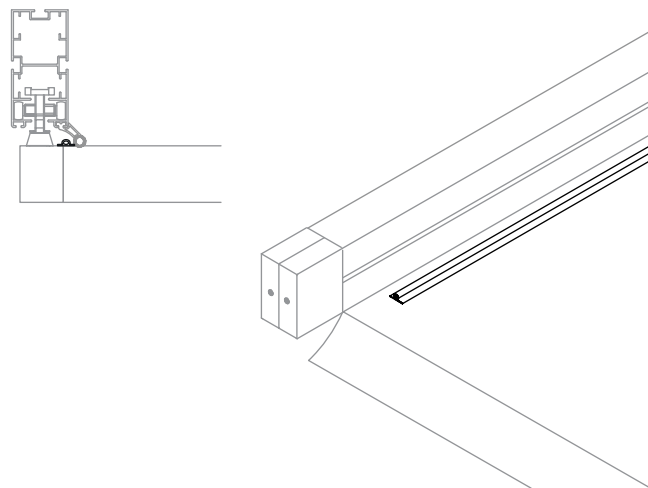
- ① Rafter profile 60x125mm
- ② Hood support
- ③ Motor support
- ④ Motor box
- ⑤ Hood sheet
- ⑥ Fabric
- ⑦ Fabric profile
- ⑧ Motor flap





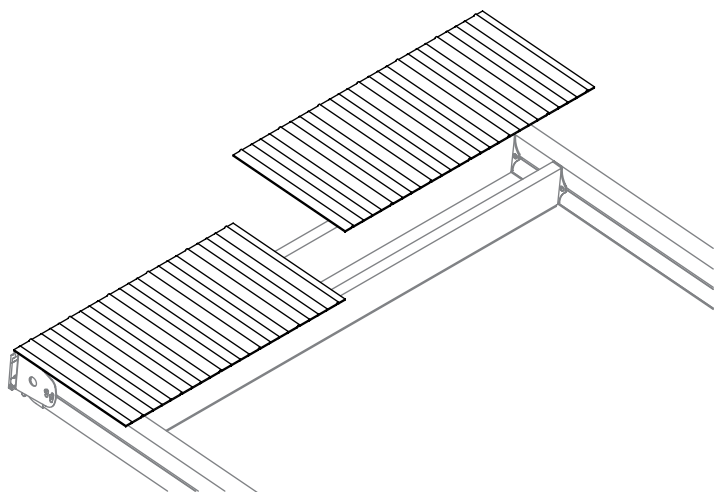
**Rafter rubber seal**

The rafter rubber seal is integrated into the edge of the rafter to help stop water dripping over the edge of the fabric by providing a soft barrier along the side of the system.



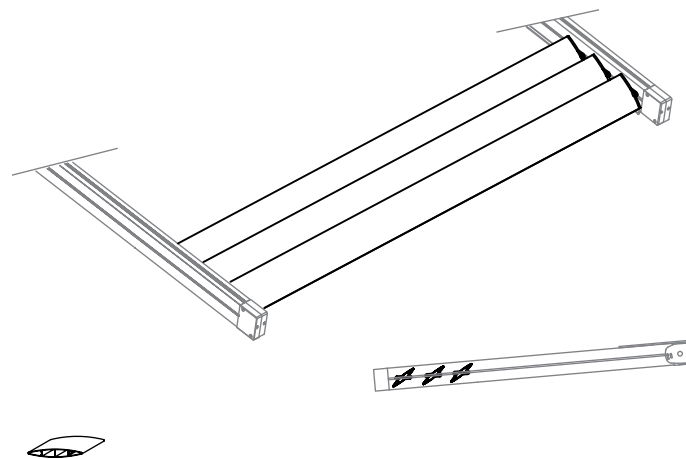
**Fabric tube spline rib**

The fabric tube spline rib is used in conjunction with the rafter rubber seal when systems are side by side to offer a greater protection from water dripping between systems. Fixing to the top side of the fabric the tube spline rib folds in and out with the system to create a second water barrier.



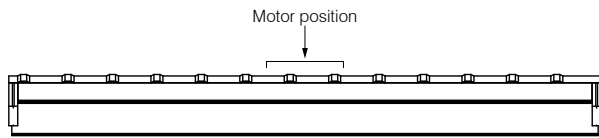
**Aluminium hood sheets**

The pressed aluminium sheets offer an attractive cover for when the system is retracted back and not in use. The low-profile sheet is colour matched to the system and ensures the fabric stays clean from above when not extended.

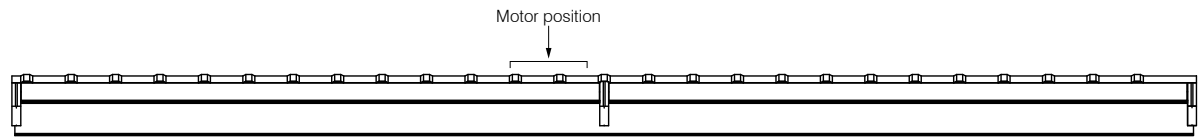


**Aerofoil louvres (Internal)**

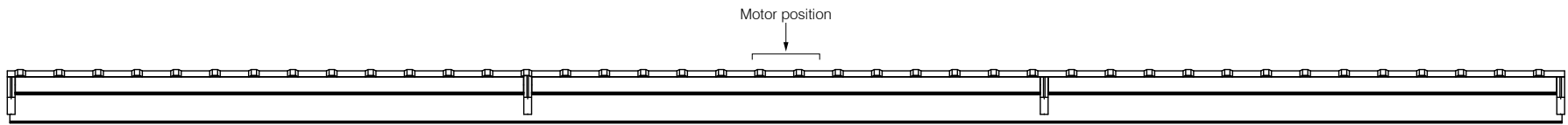
Aerofoil louvre fins for shade and design may be added within the existing projection.



Single system – max 4.5m wide



Twin field system – max 9m wide



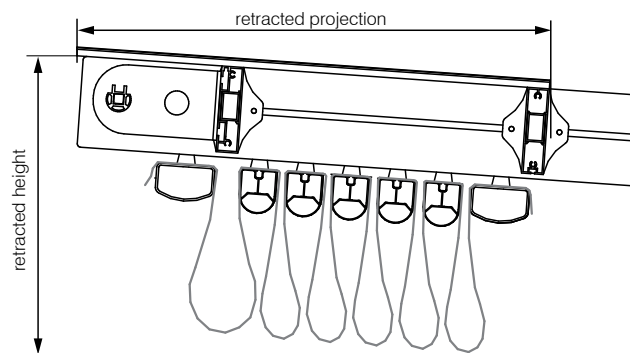
Triple field system – max 9m wide

**PURE HS20 RETRACTED SYSTEM DIMENSIONS AT 10°**

No of fabric profiles	System projection (m)																		Retracted fabric (mm)
	1.50	2.00	2.50	3.00	3.50	4.00	4.50	5.00	5.50	6.00	6.50	7.00	7.50	8.00	8.50	9.00	9.50	10.00	
4	<b>358</b>																		504
5	321	<b>385</b>																	564
6	303	355	<b>406</b>																624
7		338	381	<b>424</b>															684
8			366	402	<b>439</b>														745
9				389	421	<b>453</b>													805
10					410	438	<b>467</b>												865
11						428	454												925
12							445	<b>469</b>											985
13								461	<b>483</b>										1045
14								457	476	<b>497</b>									1105
15									473	491	<b>510</b>								1165
16										488	505	<b>522</b>							1225
17											503	519	<b>535</b>						1285
18												517	532	<b>452</b>					1345
19													531	545	<b>559</b>				1405
20														544	558	<b>571</b>			1465
21															557	570	<b>583</b>		1525
22																570	582	<b>595</b>	1586
23																	583	595	1646
24																		596	1706

Bold figures indicate the retracted height of fabric if the standard number of profiles for this size / angle are used. A reduction in height can be achieved by adding extra fabric profiles, which will attract a surcharge.

Retracted height at 10° angle (mm)



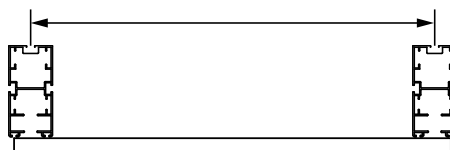
Retracted height measurements

**PURE HS20 MINIMUM ANGLE CHART FOR WATER RUN OFF**

Rafter spacing (m)	Projection (m)																Angle
	2.50	3.00	3.50	4.00	4.50	5.00	5.50	6.00	6.50	7.00	7.50	8.00	8.50	9.00	9.50	10.00	
2.00	300	335	370	405	440	475	510	545	580	615							4°
											781	821	865	908	952	995	5°
2.50	343	386	430	473	517	560	604	647	691	734							5°
											913	965	1018	1070	1123	1175	6°
3.00	388	440	493	545	598	650	703	755	808	860							6°
											1046	1109	1170	1232	1294	1355	7°
3.50	475	545	615	685	755	825	895	965	1035	1105	1175	1245	1315	1385	1455	1525	8°
4.00	520	599	678	757	836	915	994	1073	1152	1231	1310	1389	1468	1547	1626	1705	9°
4.50	565	653	741	829	917	1005	1093	1181	1269	1357	1445	1533	1621	1709	1797	1885	10°
<b>Angle clearance (mm)</b>																	

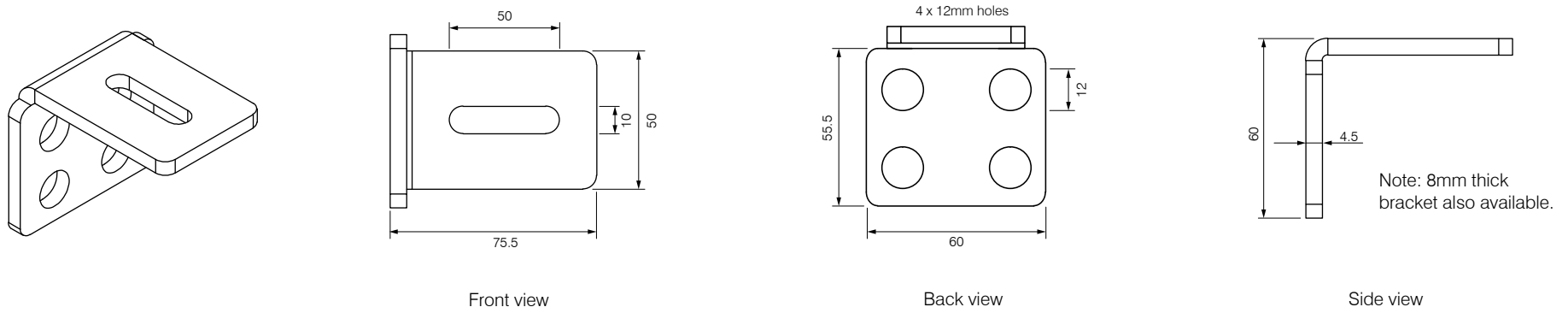


Minimum angle measurements

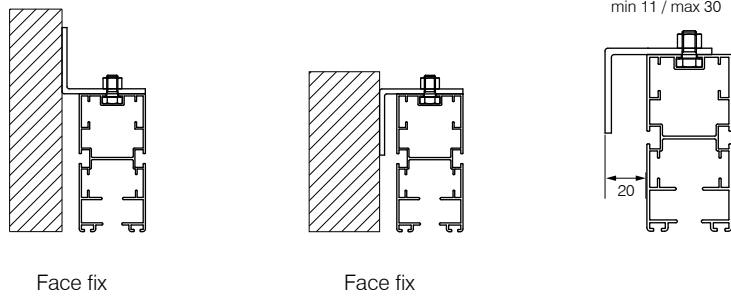


Rafter spacing

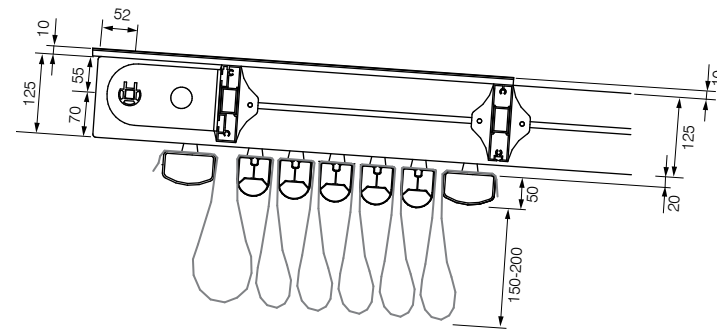
**Side fix angle bracket**



**Fixing options**



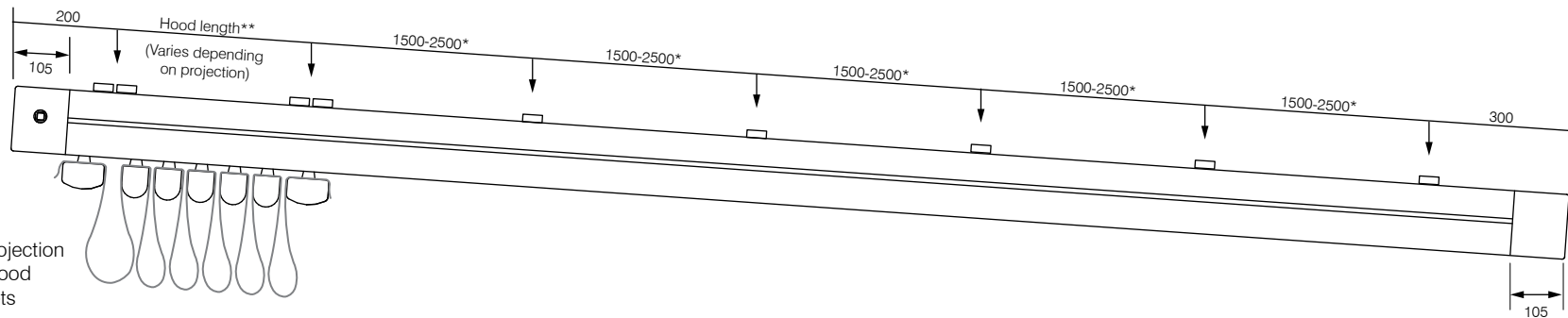
**Retracted height detail**



**Rafter cap detail**



**Bracket / support layout**



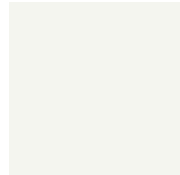
\*\* Note: Over 8m projection requires additional hood supports and brackets

(\* bracket / support spacing variable depending on supporting structure / substrate)

# FABRIC COLOURS

## Translucent

LAC650



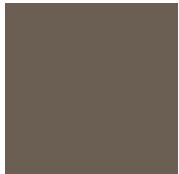
HS867 New White



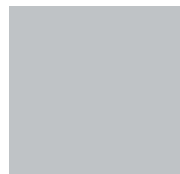
HS7462 Champagne



HS7409 Beige



HS7534 Taupe



HS654 Silver



HS652 Grey



HS7419 Slate



HS7456 Yellow



HS7646 Sage



HS7507 Red



HS941 Ocean Blue

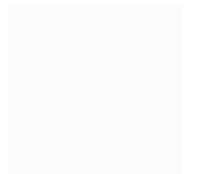


HS995 Federation Green



HS810 Black

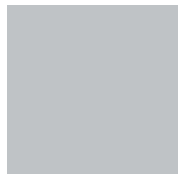
## Sunblock



HS7279 White



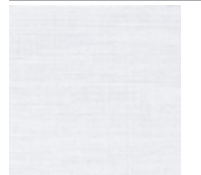
HS7398 Champagne



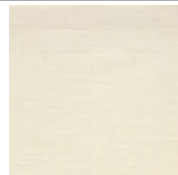
HS654 Grey

## Plain

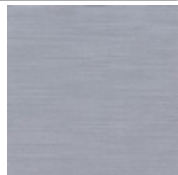
## Sunblock



HS7463 White-Grain



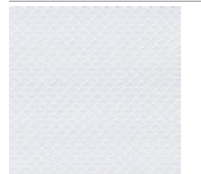
HS7464 Champagne-Grain



HS7469 Grey-Grain

## Grain

## Sunblock



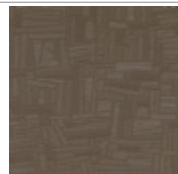
HS7543 White-HB

## Herringbone

## Sunblock



HS7511 Cream-MS



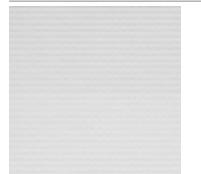
HS7510 Taupe-MS



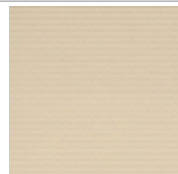
HS7512 Grey-MS

## Mosaic

## Sunblock



HS7677 White-CV



HS7678 Champagne-CV

## Canvas

Fabric colour



Solar reflection



Solar absorbance



Thermal comfort



Solar transmittance

Translucent (680g/sqm)					
HS867	75	12	12°C	11	
HS7462	73	16	12°C	9	
HS7409	9	90	12°C	0	
HS7534	14	86	12°C	0	
HS654	46	54	12°C	0	
HS652	26	74	12°C	0.1	
HS7419	6	94	12°C	0	
HS7456	53	35	12°C	7	
HS7646	25	74	12°C	0	
HS7507	24	71	12°C	0.2	
HS941	27	66	12°C	0	
HS995	22	72	12°C	0.1	
HS810	5	95	12°C	0	
Sunblock (850g/sqm)					
HS7279	72	28	12°C	0	
HS7398	68	32	12°C	0	
HS654	45	55	12°C	0	
HS7463	72	28	12°C	0	
HS7464	68	32	12°C	0	
HS7469	45	55	12°C	0	
HS7543	72	28	12°C	0	
HS7511	68	32	12°C	0	
HS7510	16	84	12°C	0	
HS7512	45	55	12°C	0	
HS7677	72	28	12°C	0	
HS7678	68	32	12°C	0	