

Helioshade® Rubix Cassette

FOLDING ARM AWNING



The **Helioshade® Rubix Cassette** awning offers a premium shading solution with a focus on clean lines to suit the finest architecture.

Utilising the highest quality materials including chromatised aluminium, high grade stainless steel screws, along with precision engineering, ensures long lasting durability and functionality for many years.

Tested and proven to well over 70,000 full cycles, the Multiflex 4-cable arm system is the strongest of its kind on the market. With daily use, this is more than a 200-year lifespan.

Ideally suited to harsh Australian conditions, the arm system is optimised for long lasting tautness of the fabric under extended heavy use.



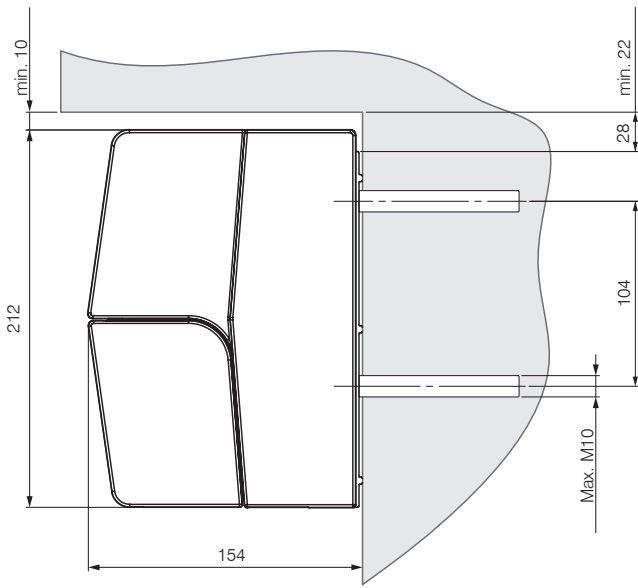
SYSTEM SPECIFICATIONS

System	Helioshade Rubix Cassette retractable awning
Minimum width	2460mm
Maximum width	6000mm
Maximum projection	3500mm
Installation angle	5-40°
Standard operation	Motor (gear unit and hand crank possible)
Fabric colours	Over 150 fabric colours
Standard frame colours	Over 120 Dulux and custom powdercoat colours
Premium frame colours	Over 50 Dulux Duratec and Electro commercial colours
Valance option	Straight or wavy fabric valance

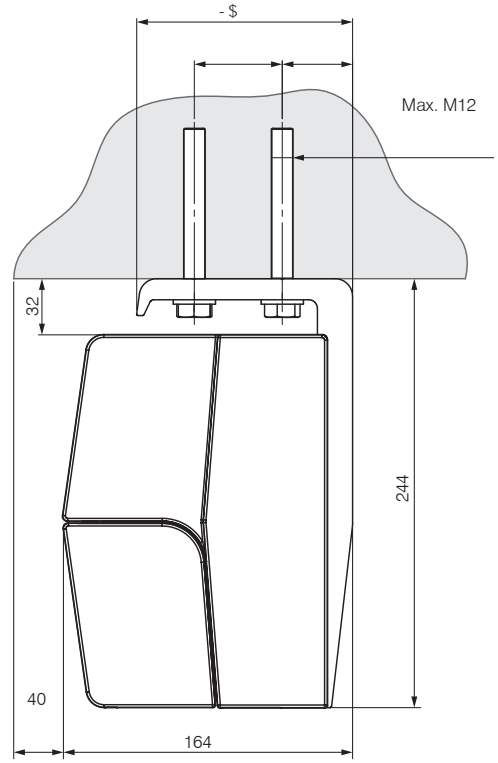
TECHNICAL INFORMATION

Brackets	Face and top fix brackets
	Small 200 x 200mm
	Medium 300 x 200mm
	Large 500 x 200mm
Mechanism	The Rubix Cassette with colour matched end caps in cast aluminium offers the perfect protection from the elements, all with a size of just 154 x 212mm
	Extremely corrosion resistant due to chromatising of all aluminium parts as well as nuts and screws made of high grade stainless steel
	Architectural grade extruded aluminium
	Articulated folding arms
	High quality extruded and drop-forged arms offer safety and reliability even under extreme loads
Testing	Unique "Multiflex" power band system ensures proper tensioning of the fabric and consists of four tear-resistant steel cables
	Tested for 70,000 arm operations
	Tested in winds equivalent to 30-40km/hr
Sun and wind control systems	Optional automation via wind control sensor
	Optional automation via Soliris sun and wind sensor
	Automated reaction in high winds
	Adjustable wind sensitivity levels

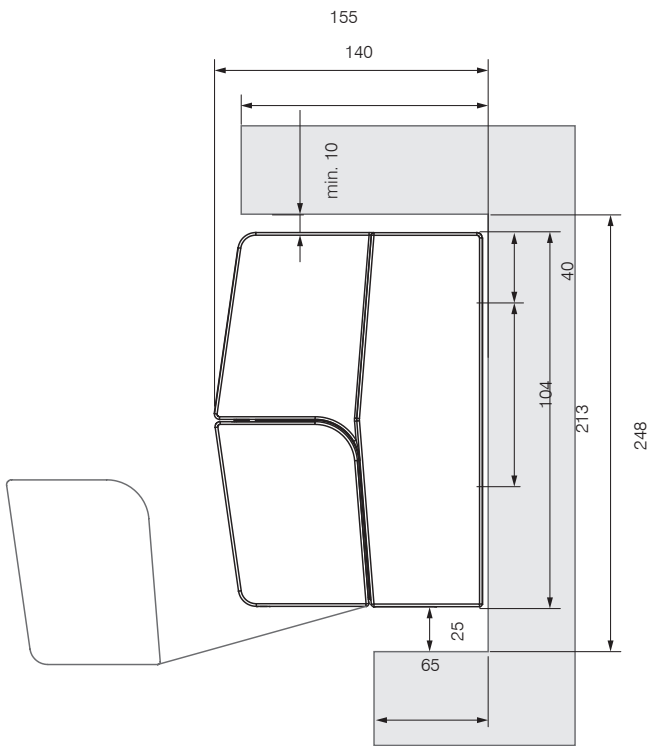
Mounting situations



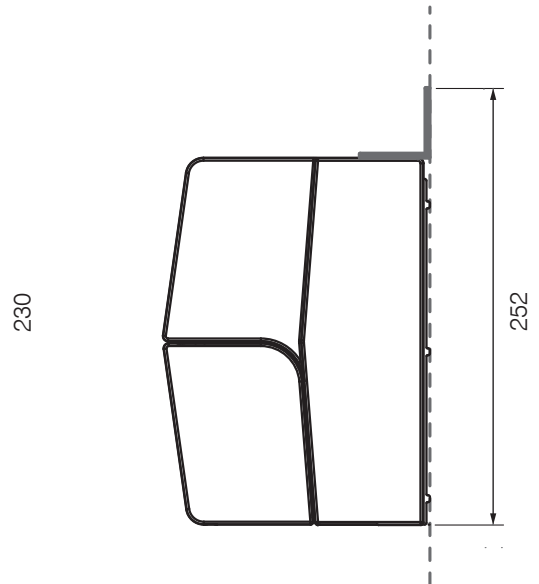
Face fix



Top fix

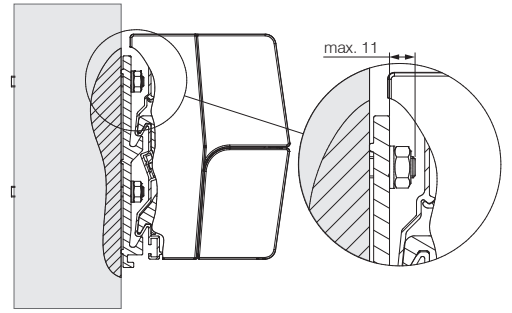
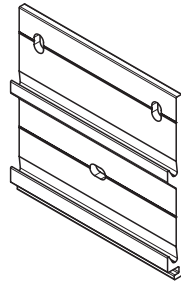
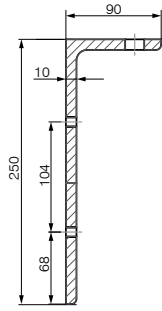
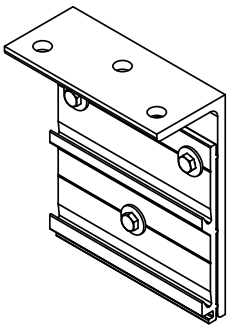


Partially recessed installation



Wall gap angle dimensions

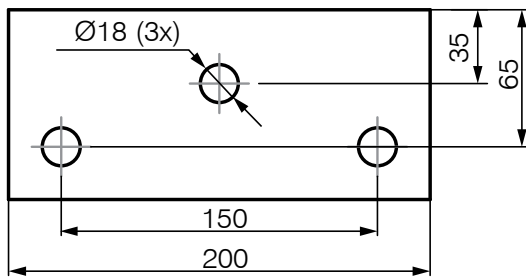
Bracket details



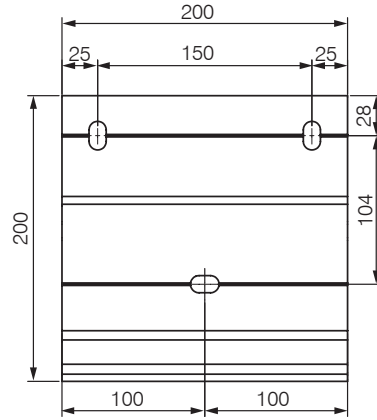
Ceiling bracket

Wall bracket

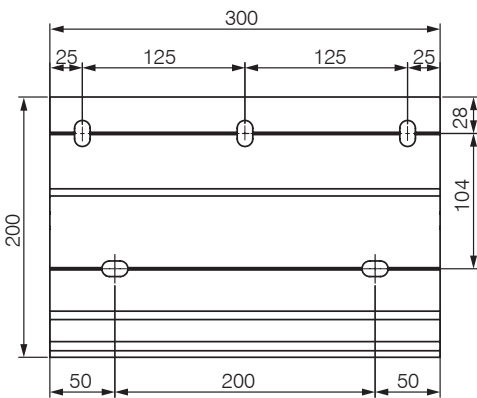
Wall bracket
Projection of installation bolts max 11mm



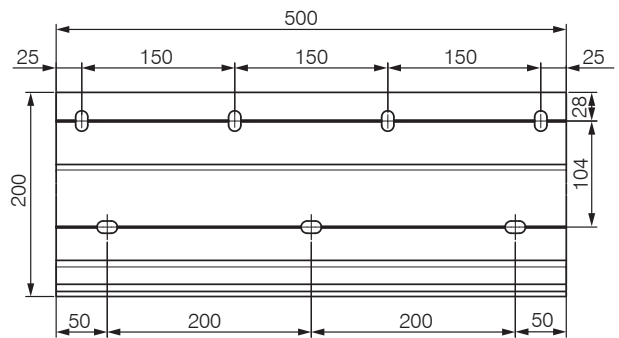
Standard bracket
3 holes: 14mm



Small wall bracket
3 holes: 12 x 20mm

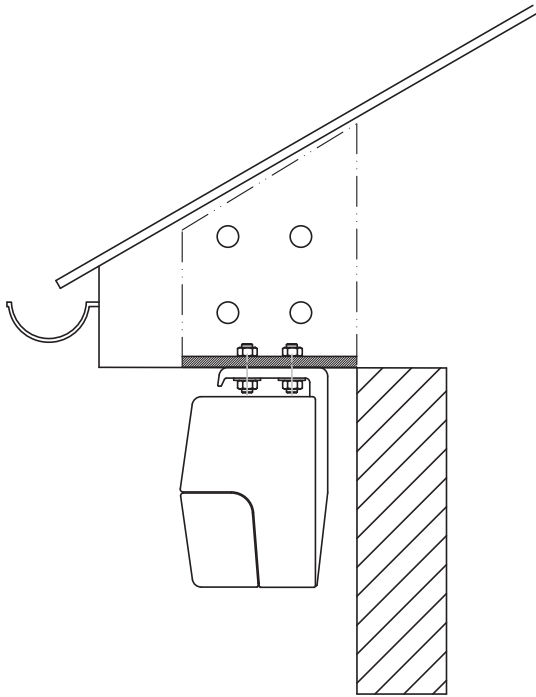


Medium wall bracket
5 holes: 12 x 20mm

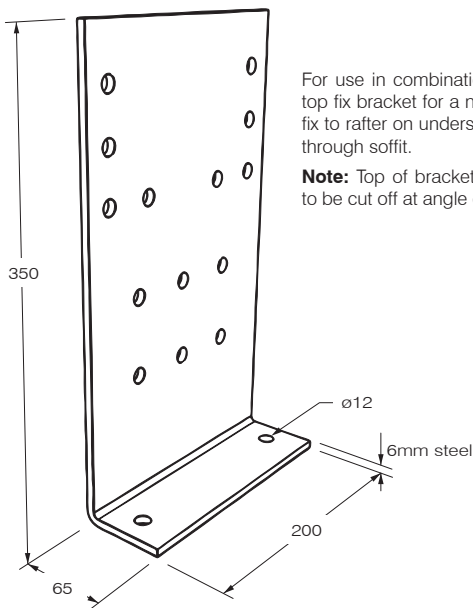


Large wall bracket
7 holes: 12 x 20mm

Installation variations



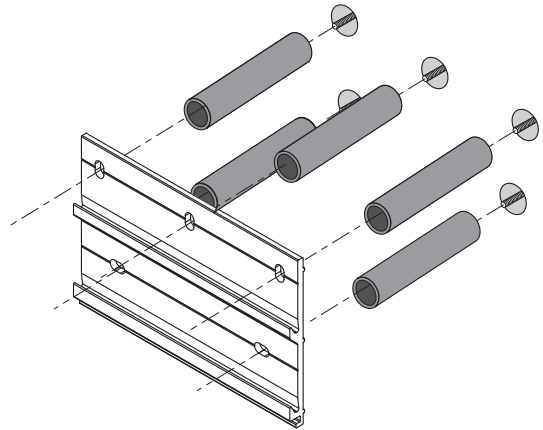
Soffit / under eaves



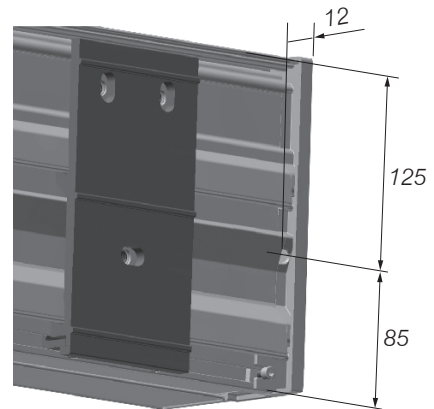
Soffit / rafter fix bracket

Please note: Additional holes will need to be drilled in brackets to suit site requirements for this type on installation. Depending on rafter suitability two steel soffit brackets may be required per awning bracket.

Distance tube



Power cable exits (left or right)



Approximate weights in kg

Proj	2000	2500	3000	3500
Width				
2500	42			
3000	47	50		
3500	52	54	56	
4000	57	58	60	62
4500	60	62	63	66
5000	66	70	72	76
5500	75	80	88	83
6000	80	82	84	88