

SYSTEM SPECIFICATIONS

System	Helioshade full cassette retractable awning
Minimum width	2000mm
Maximum width	8000mm
Maximum projection	4000mm (3500mm with Vario-valance)
Installation angle	5-40°
Standard operation	Motor (gear unit and hand crank possible)
Fabric colours	Over 150 fabric colours
Standard frame colours	Over 120 Dulux and custom powdercoat colours
Premium frame colours	Over 50 Dulux Duratec and Electro commercial colours
Valance option	Fabric valance and Vario-valance

TECHNICAL INFORMATION

Brackets	Face, top, rafter/soffit fix and fascia brackets
	Face/wall mount brackets: 150 x 180mm and 280 x 180mm
	Top fix brackets: 150 x 145mm
	Fascia brackets: 0°, 10°, 20° and 30° (for up to 3000mm projection)
Mechanism	Helioshade Cassette offers the awning fabric total protection from the elements
	Extremely corrosion resistant due to chromatising of all aluminium parts as well as nuts and screws made of high grade stainless steel
	Architectural grade extruded aluminium
	Articulated folding arms
Vario-valance (max 3500mm projection)	High quality extruded and drop-forged arms offer safety and reliability even under extreme loads
	Unique "Multiflex" power band system ensures proper tensioning of the fabric and consists of four tear-resistant steel cables
	Extendable valance to a maximum of 1600mm drop
	Discreet design harmonises with awning appearance
Testing	Offers additional privacy and sun protection
	Crank operated
	Tested for 70,000 arm operations
	Tested in winds equivalent to 40-50km/hr
Sun and wind control systems	Optional automation via wind control sensor
	Optional automation via Soliris sun and wind sensor
	Automated reaction in high winds
	Adjustable wind sensitivity levels

Helioshade® Cassette

FOLDING ARM AWNING



Using innovative German technology and stylish Italian design, the **Helioshade® Cassette** perfectly protects the awning fabric and its working parts from the harsh Australian environment with a fully closing cassette.

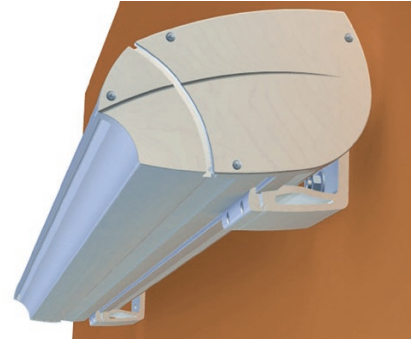
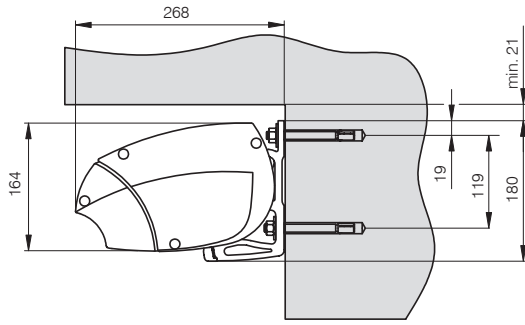
Top quality materials including chromatised aluminium and marine grade stainless steel screws, along with precision engineering down to the last detail ensure perfect functionality and durability.

High strength extruded brackets guarantee a sound fixing, even on difficult façades. The **Cassette** can be fully automated with a motion and wind sensor.

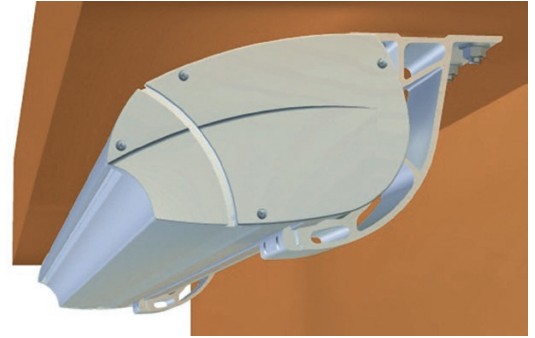
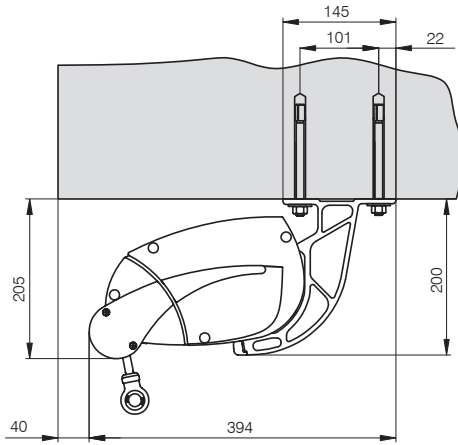


Mounting situations

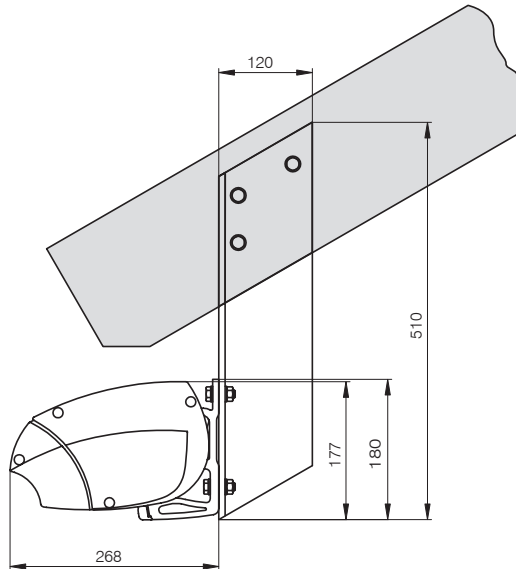
Face mount
5°-40°



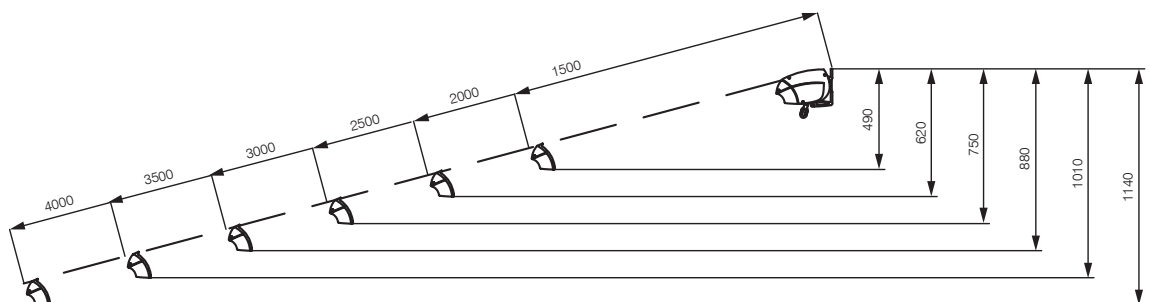
Top mount
5°-40°



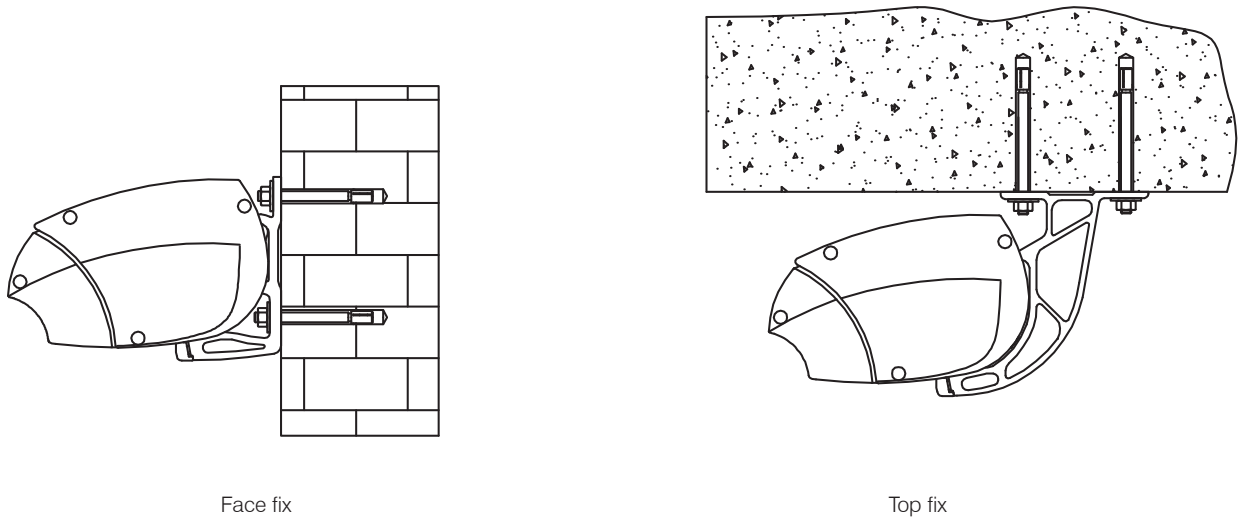
Rafter mount



System height for
standard 15° slope

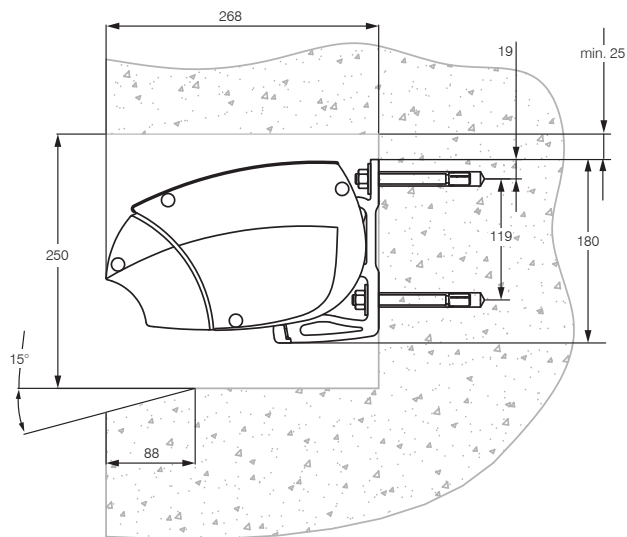


Mounting situations

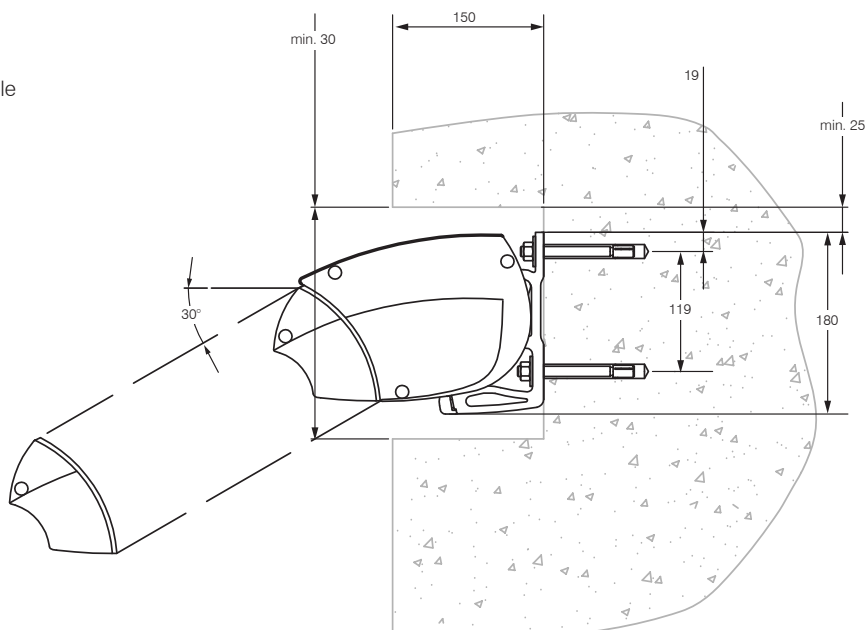


Recessed installations

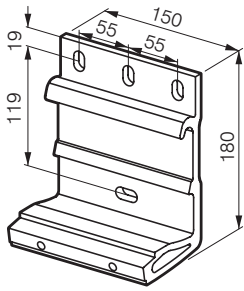
Fully recessed installation example



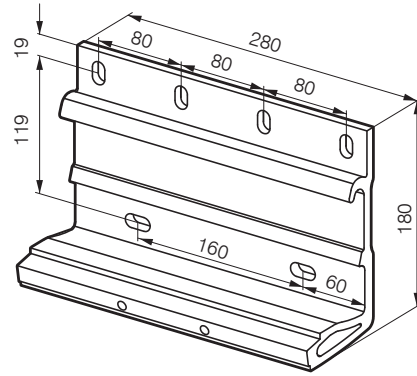
Partially recessed installation example



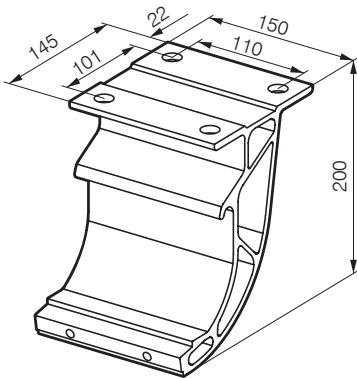
Bracket details



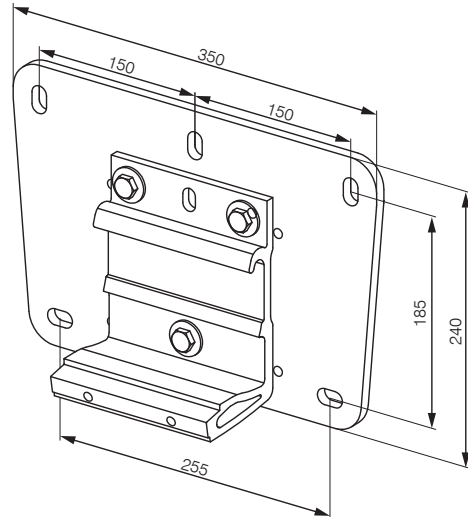
Standard wall mount
4 Holes: 3 x 14 x 20mm, 1 x 14 x 24mm
Standard for 1.5m to 3m projection



Large wall mount
6 Holes: 4 x 14 x 20mm, 2 x 14 x 24mm
Standard for 3.5m & 4m projection

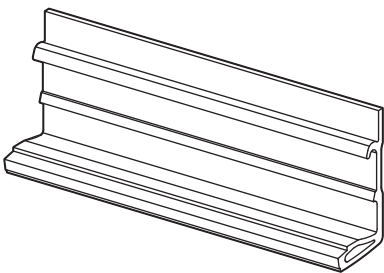


Top mount
4 Holes: 17mm

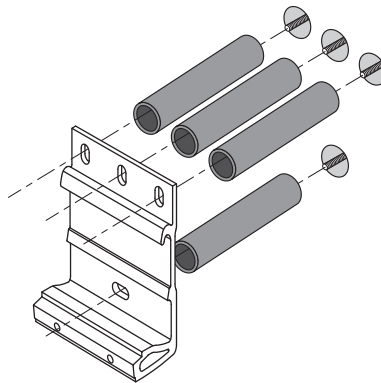


Bracket spreader plate

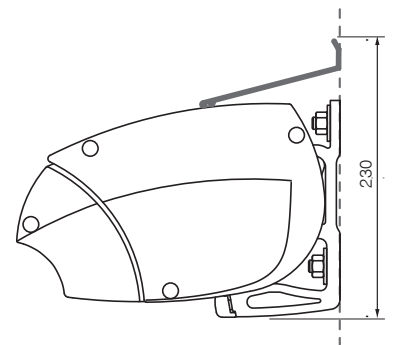
Installation options



Wall bracket profile lengths
– max 3000mm

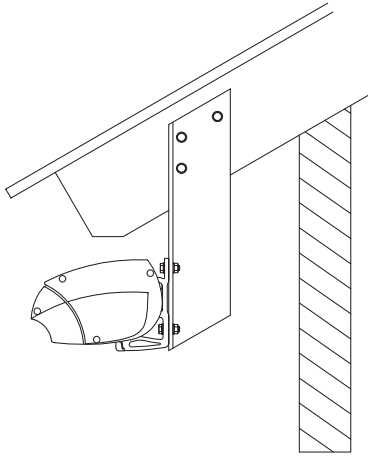


Distance tube

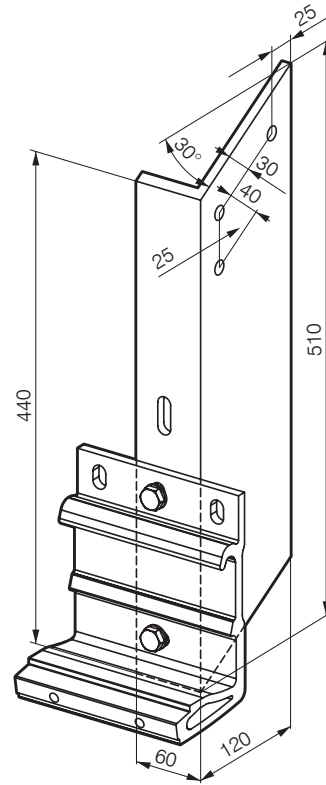


Wall gap profile

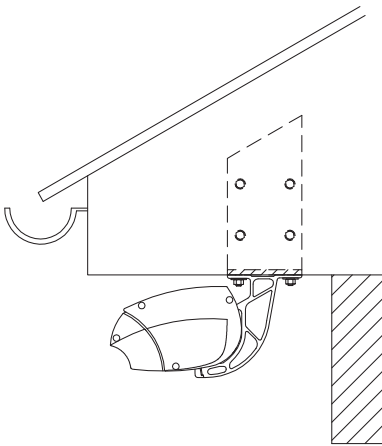
Installation variations



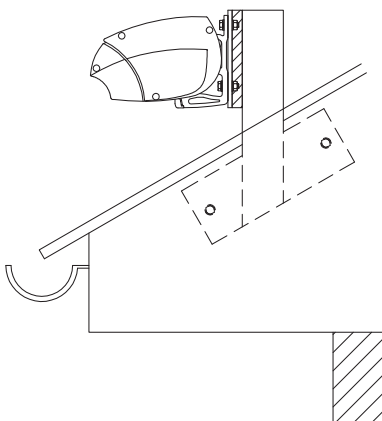
Exposed rafter installation



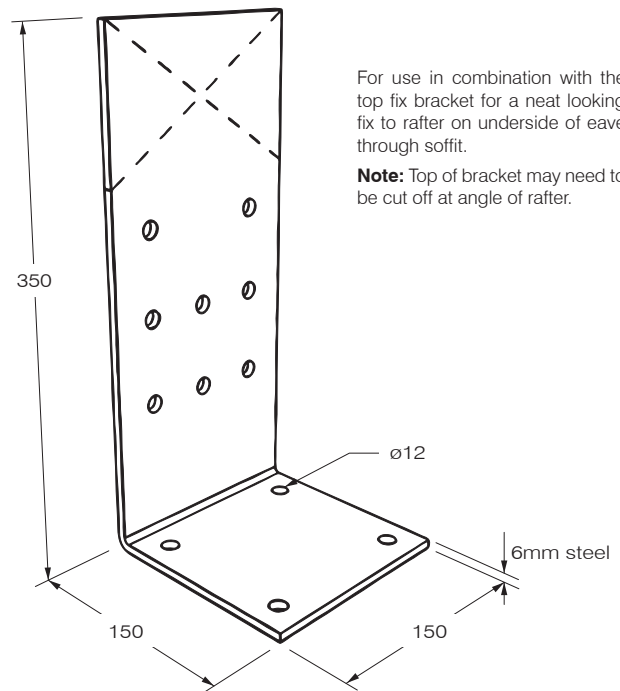
Rafter mount
3 Holes: 12mm



Soffit / under eaves



Roof mount



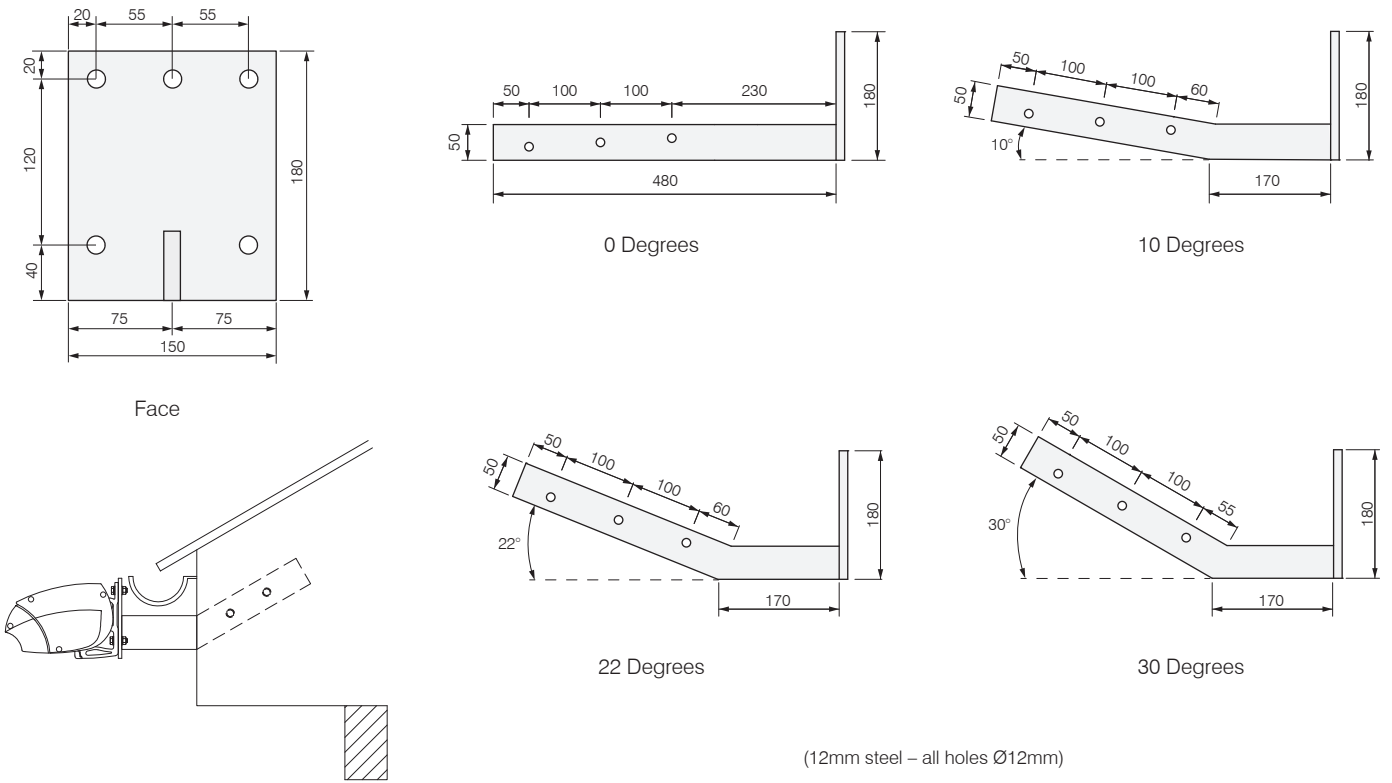
For use in combination with the top fix bracket for a neat looking fix to rafter on underside of eave through soffit.

Note: Top of bracket may need to be cut off at angle of rafter.

Soffit / rafter fix bracket

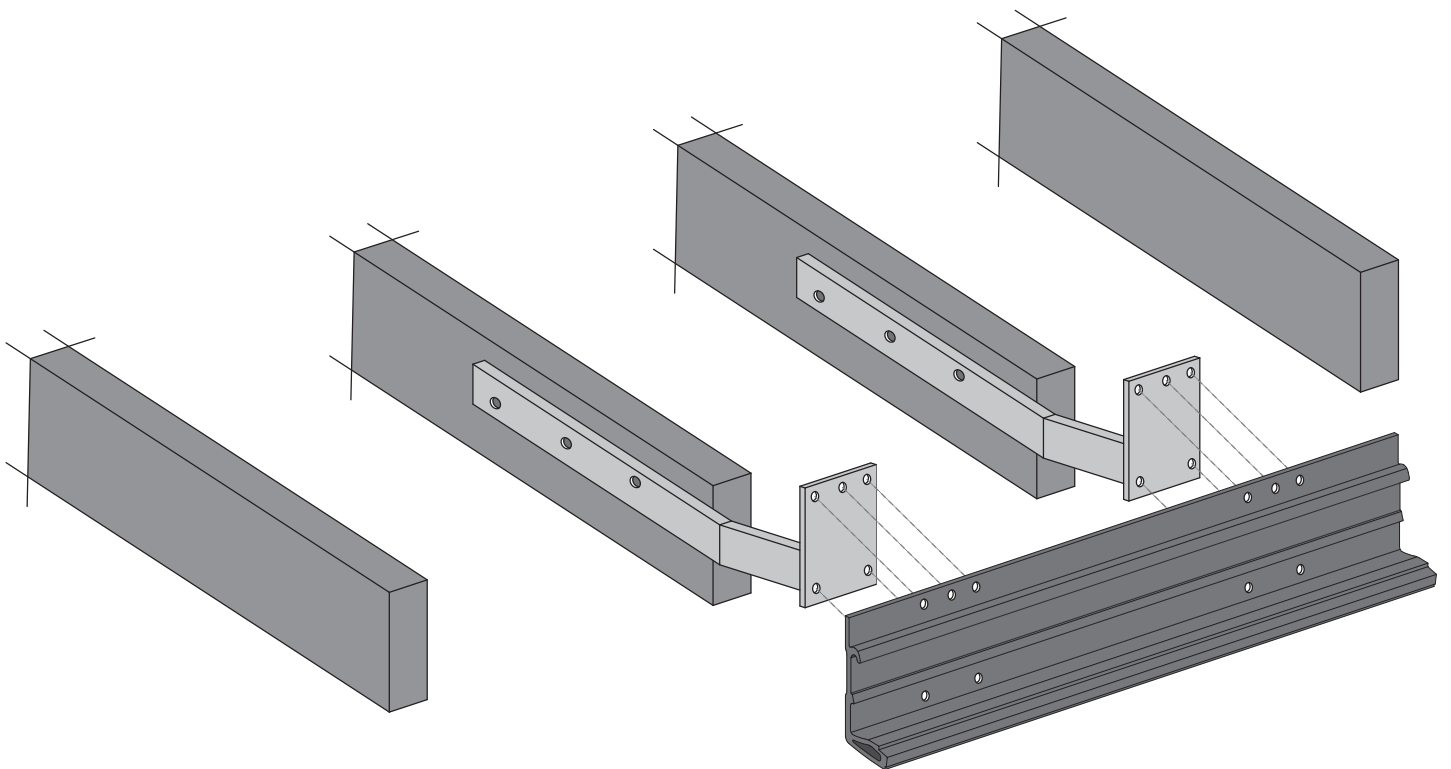
* Custom solution not available from Helioscreen

Fascia bracket details



Fascia bracket installation

Twin fascia bracket installation



Where required twin fascia bracket can be used to share the load on rafters.
 Cassette brackets can be supplied in custom lengths up to 3000mm.
 Fixing holes in brackets need to be drilled on site to suit placement.