

Project name / reference

Order number

Company name

SMOOTH HS13

ALL SEASONS SYSTEM

Max projection

10.0m

Motor type

Fields

Order measurements (mm)

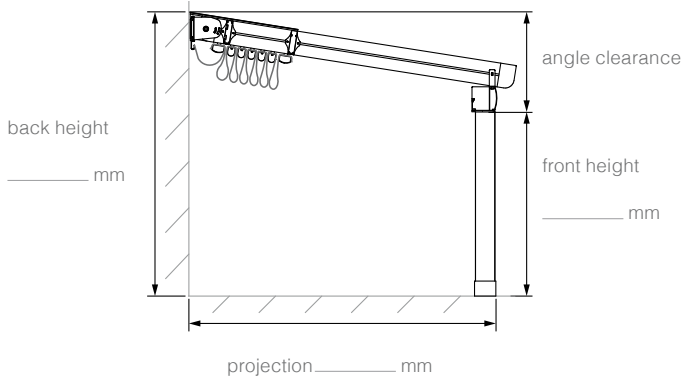
BACK HEIGHT

WIDTH

FRONT HEIGHT

PROJECTION

If fields widths are not even please tick box and add details in notes



Custom notes **To avoid misinterpretation of details, please email a basic sketch of any custom orders with this form**

Transport options (Business address only – must have forklift to unload)

! **Please note:** All order details are final and any changes after submitting order may incur costs. Please check all requirements before submitting this order.

Colours, fabrics & options

Fabric style

Fabric brand

Fabric colour

Fabric code#

Powdercoat – frame colour

Powdercoat – frame code#

Powdercoat – fabric bars

Powdercoat – bars code#

Plastic cap for fabric bars

Top tube spline

HDD LED lighting

LED lighting layout

If left and right fields are to have different quantities of LEDs, please indicate in notes.

Remotes & sensors

Remote control

Sensor

Sensor (continued)

Installation options

Install type

Hood ends

Bracket fixing surface

Side beam set (Max 6m)

Wall flashing profile
(Systems up to 15°)

YES NO

Aerofoil louvre fins

Fabric overhang (mm)

YES → Left

Custom fabric options

NO → Right

Fabric install/removal M6 nut socket handle tool

Triangle side infill

YES NO

(\$28.50 ex gst per tool)

Fabric assembly options

Please check your order confirmation email. If you do not receive one within 48 hours, please contact us.

Name of authorised person

Order date

Please tick this box to confirm that you are authorised to place this order.