

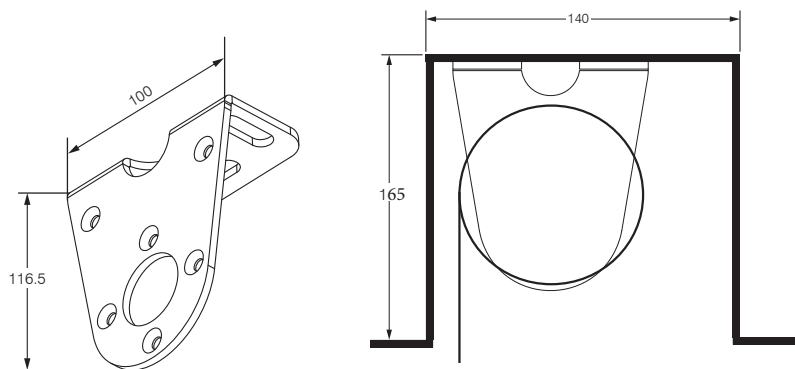
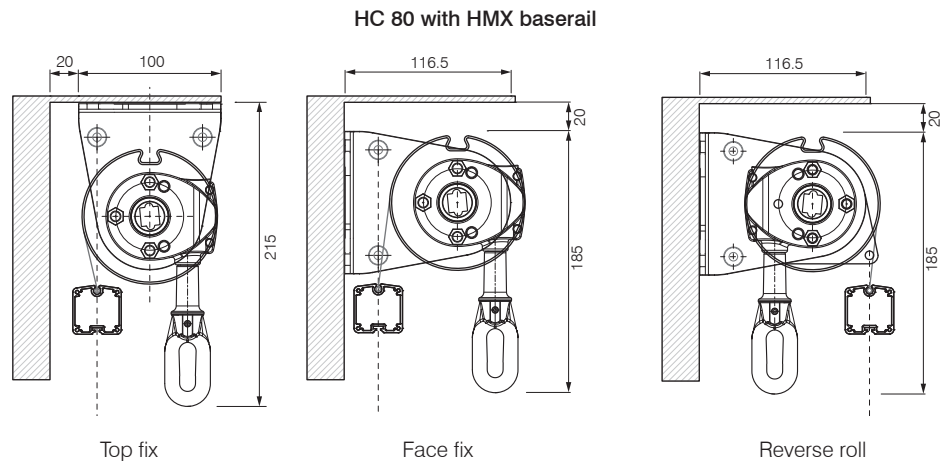
SYSTEM SPECIFICATIONS

Minimum width	800mm
Maximum width	5000mm
Maximum drop	4000mm
Maximum area	16sqm
Linkable	No
Headbox	No
Fabric deductions	50mm per side at gear side 30mm per side at pin side
Operation	Manual crank handle

TECHNICAL INFORMATION

Roller tube	80 / 85 / 95mm galvanised steel
Guide cables	316 grade stainless steel guide cables and fixings
Guide channels	Two part extruded guide channels 35x50mm
Installation options	Top, face, reveal with standard or reverse roll

System details



Minimum recess dimensions
= 140mm (w) x 165mm (h)
(drawing not to scale)

HC 80 00 STAINLESS

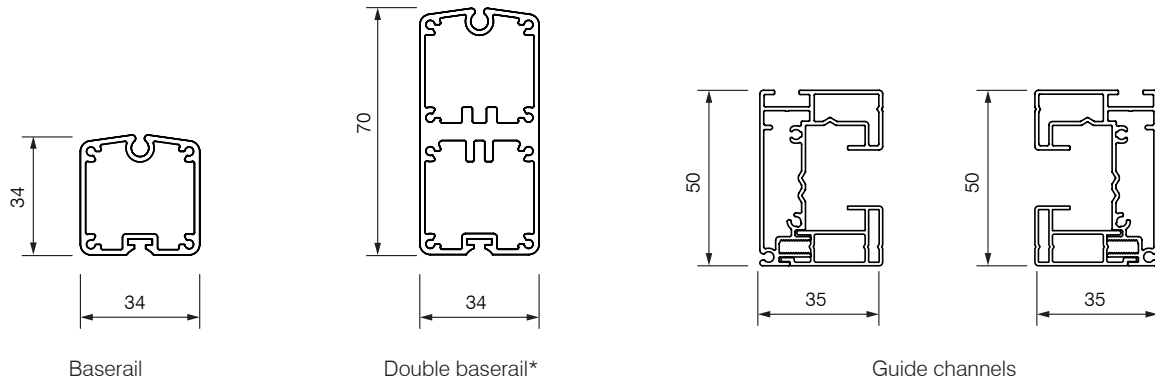
MANUAL EXTERNAL ROLLER BLIND



The Helioscreen **HC 80 00 STAINLESS** is an external blind system built for durability and performance in the uniquely harsh Australian climate.

Designed and engineered in Europe, this is an uncompromising product of the highest quality, featuring marine grade stainless steel fixing brackets / cable guides, or two-piece architectural grade aluminium channels.

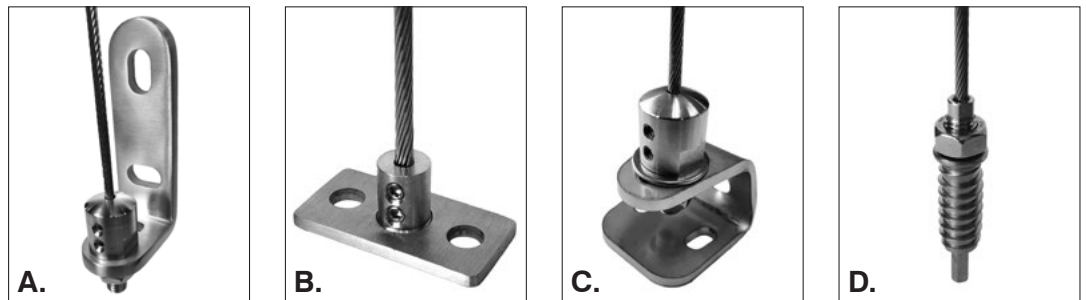
Channel & baserail sizes



* Double baserail used for narrow widths over 1:2.5 height

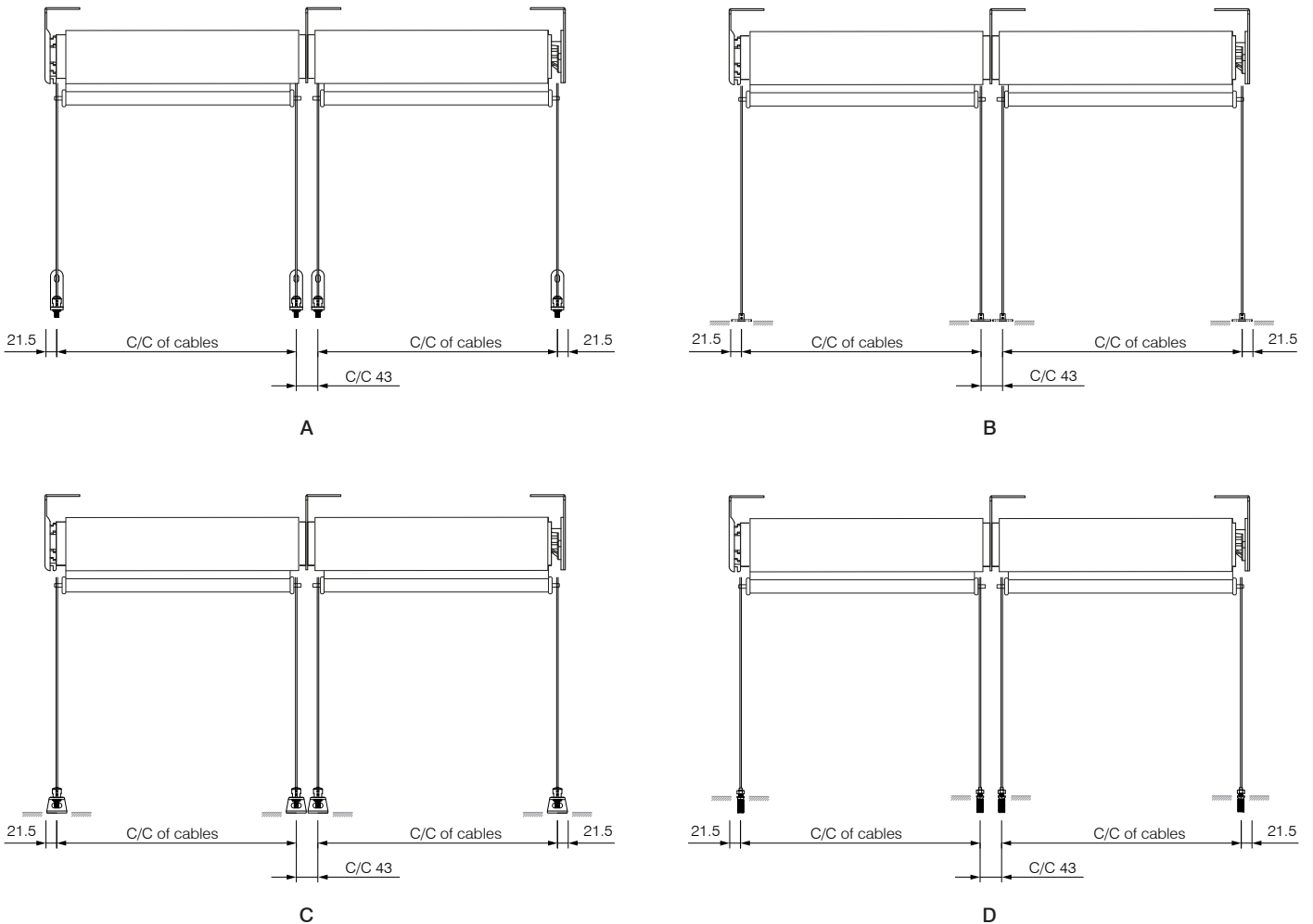
Cable guide fixings

- A. S/steel bush
S/steel wall bracket
- B. S/steel bush
S/steel bottom fix plate
- C. S/steel bush
S/steel universal bracket
- D. S/steel timber deck mount

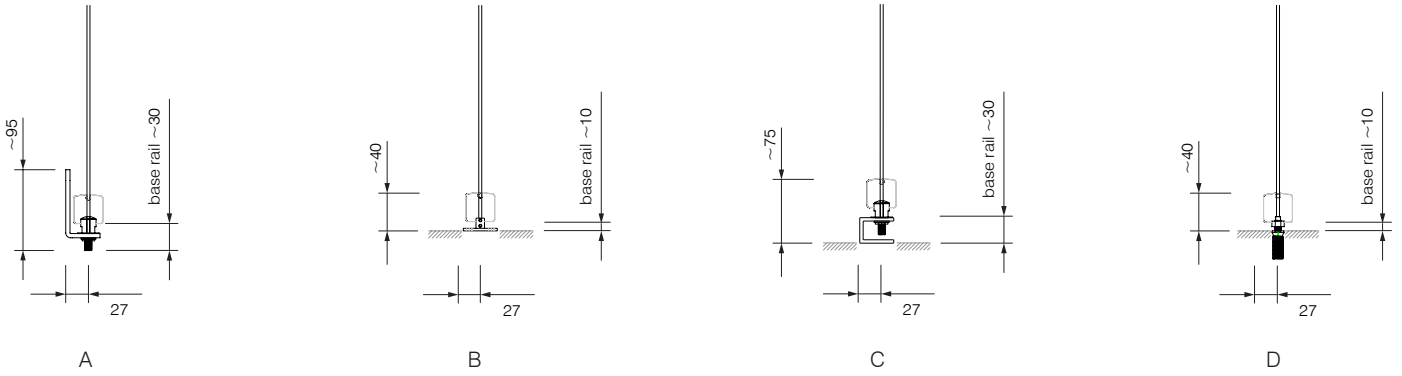


Cable fixing options

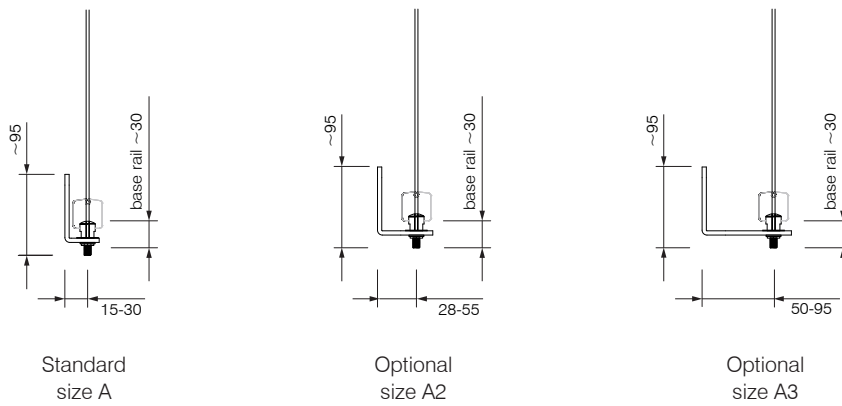
Front view – side-by-side & linked



Cable side details



Face fix "L" bracket adjustment sizes



Side channel fixing options

