

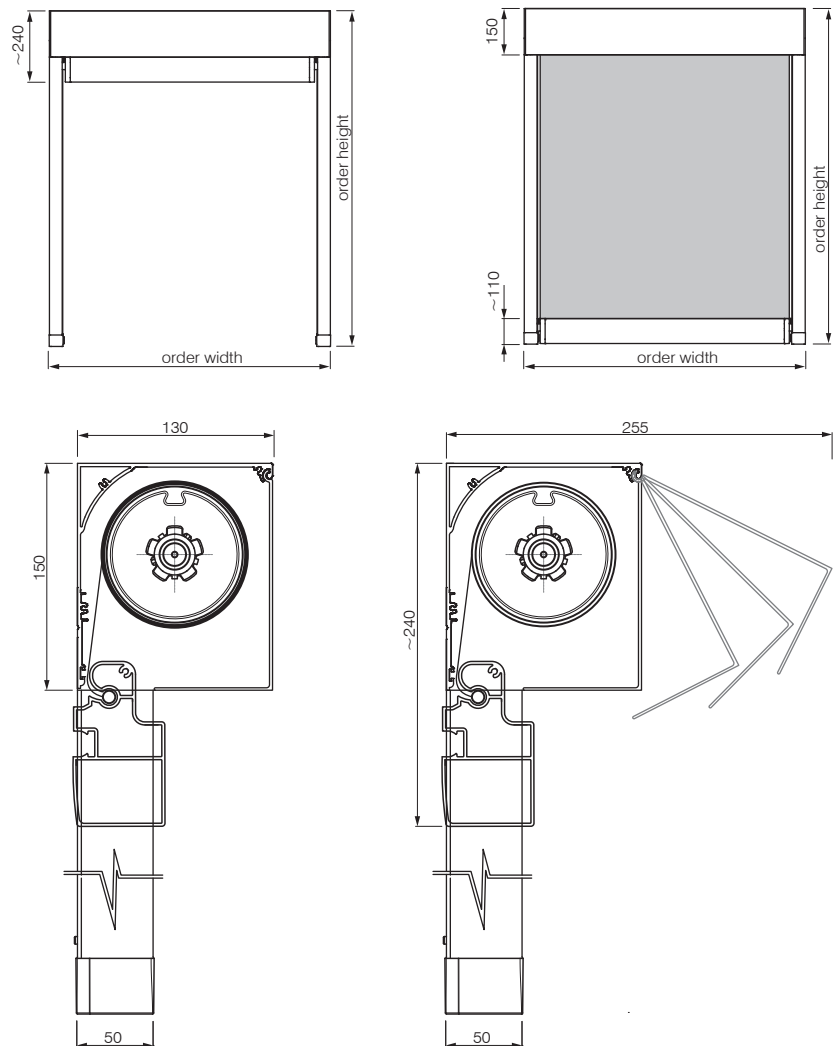
## SYSTEM SPECIFICATIONS

Minimum width	970mm
Maximum width	4500mm (Note not all fabrics are available to max width)
Maximum drop	4500mm (Note not all fabrics are available to max drop)
Maximum area	20sqm
Linkable	No
Headbox	Yes
Fabric deductions	60mm per side

## TECHNICAL INFORMATION

Headbox	Two part extruded aluminium headbox 130x150mm
End plates	Cast aluminium with guide connection lug
Roller tube	85mm roller tube
Guide channels	Single 43x50mm profile
Installation options	Reveal, face, side or top fixing options

## System details



Headbox size

## HMX Tension

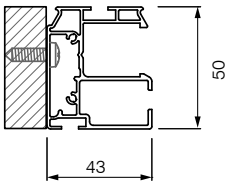
### TENSIONED BLIND 130x150mm HEADBOX



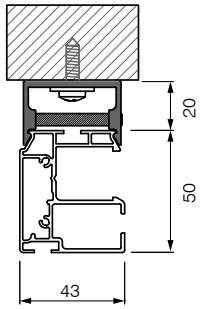
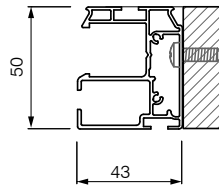
The Helioscreen **HMX TENSION** is an external tensioned blind system built for durability and performance in the uniquely harsh Australian climate.

Designed and engineered in Europe, this is an uncompromising product of the highest quality, featuring a sturdy 130x150mm headbox that allows many installation variations, including with optional headbox mounting brackets.

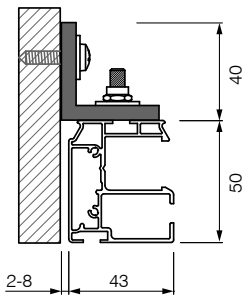
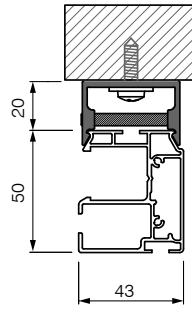
## Fixing options



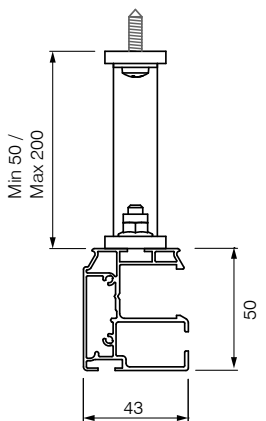
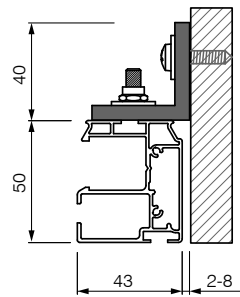
Reveal fix



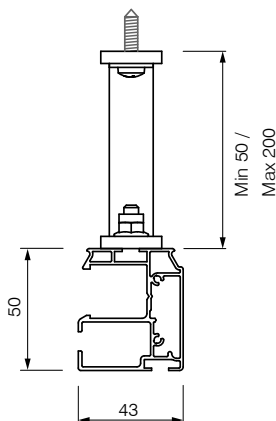
Face fix  
(clip brackets)



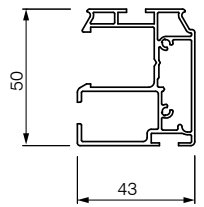
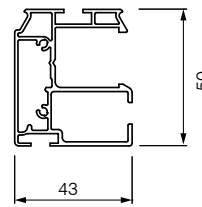
Side fix  
(angle brackets)



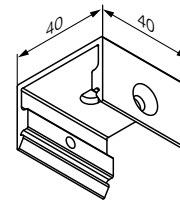
Stand off  
(distance brackets)



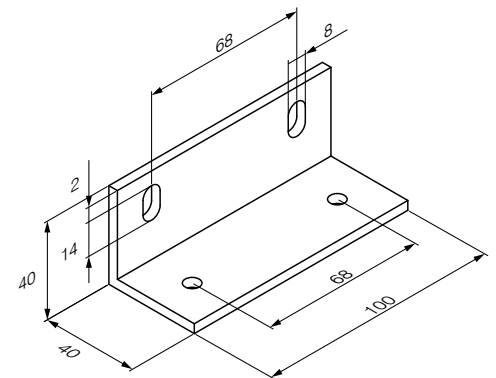
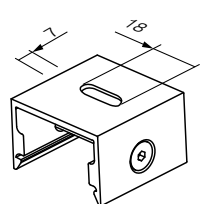
## Side channels



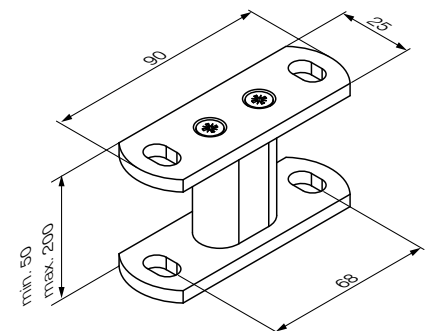
## Fixing bracket details



Face fix  
(clip brackets)

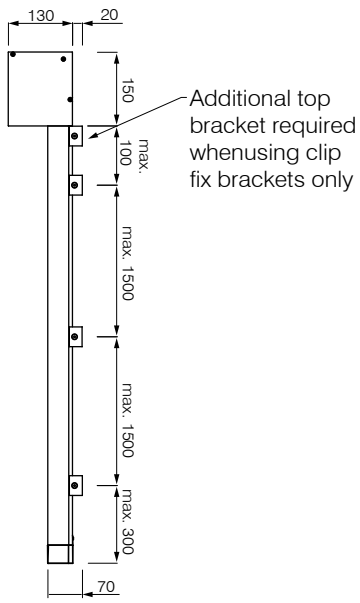


Side fix  
(angle brackets)



Stand off  
(distance brackets)

## Fixing details



Bracket spacing

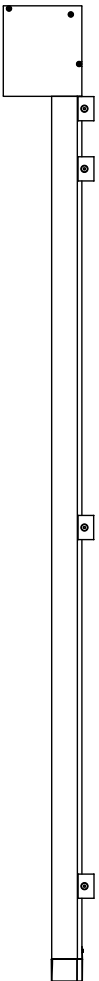


Optional face fix bracket for headbox

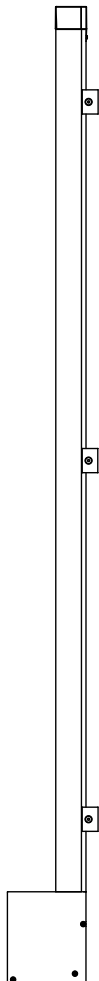


Optional top fix bracket for headbox

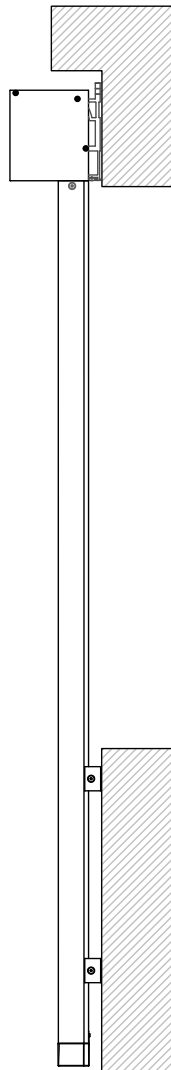
## Installation examples



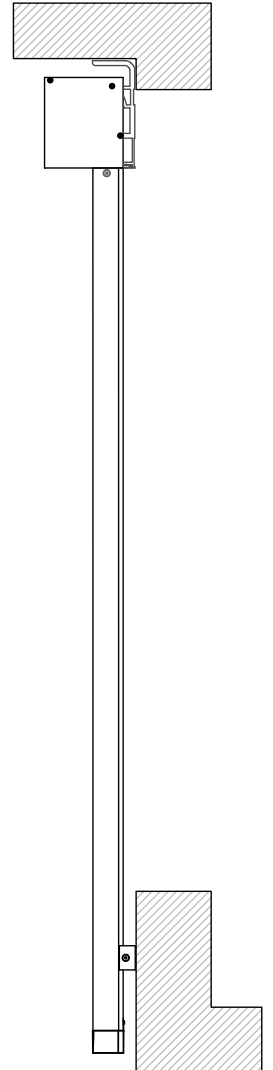
Headbox at top



Headbox at bottom

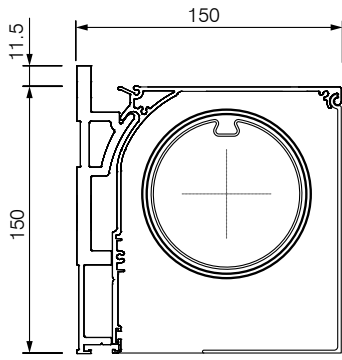


Optional face fix bracket

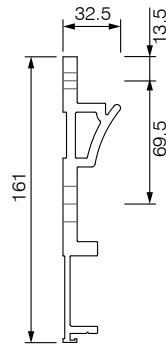


Optional top fix bracket

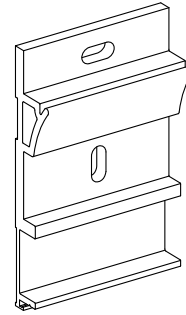
## Optional headbox fixing brackets



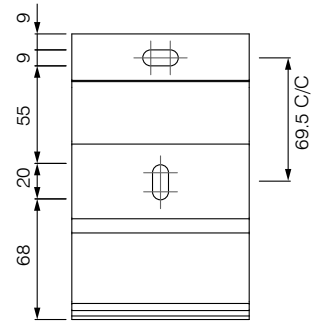
Headbox size



Wall bracket

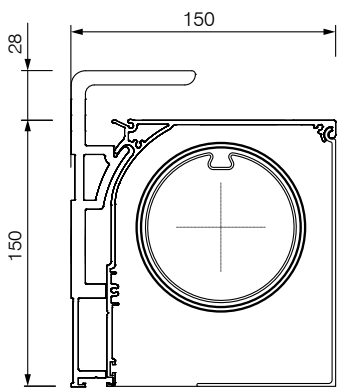


3D view

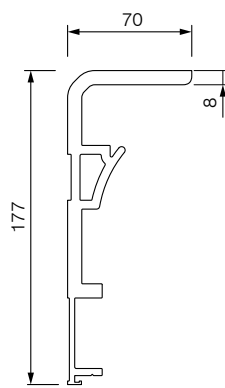


Hole spacing

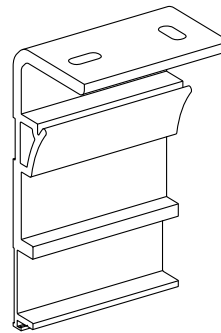
### Face fix details



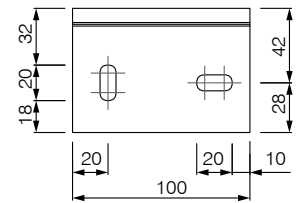
Headbox size



Top fix bracket



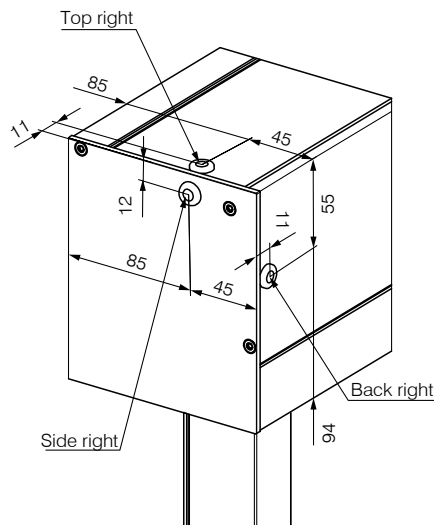
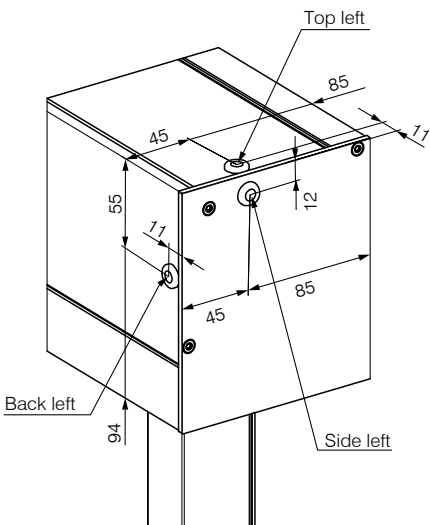
3D view



Hole spacing

### Top fix details

## Power cable exit options



## Cover pivot

